

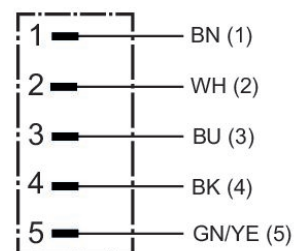
# Round plug connector, Series CON-RD

8946203432

## General series information

AVENTICS Series CON-RD Round plug connectors with cable

- The AVENTICS Series CON-RD-with cable offers cables with round plug connectors for various types like M8x1, M12x1 or 7/8-16UNC and different cable length, optimized for our focused valves with M8x1 or M12x1 connection and electronic systems like AES and G3.



## Technical data

Industry

Industrial

Type

Round plug connectors

Cable

with cable

Electrical connection 1, type

Plug

Electrical connection 1, thread size

M12x1

Electrical connection 1, number of poles

5-pin

Electrical connection 1, coding

A-coded

Cable exit 1

straight

Cable exit angle

180°

Electrical connection 2, type

open cable ends

Electrical connection 2, number of poles

5-pin

Number of wires

5

Shielding

unshielded

Cable length	2 m
Protection class	IP68
Weight	0.102 kg

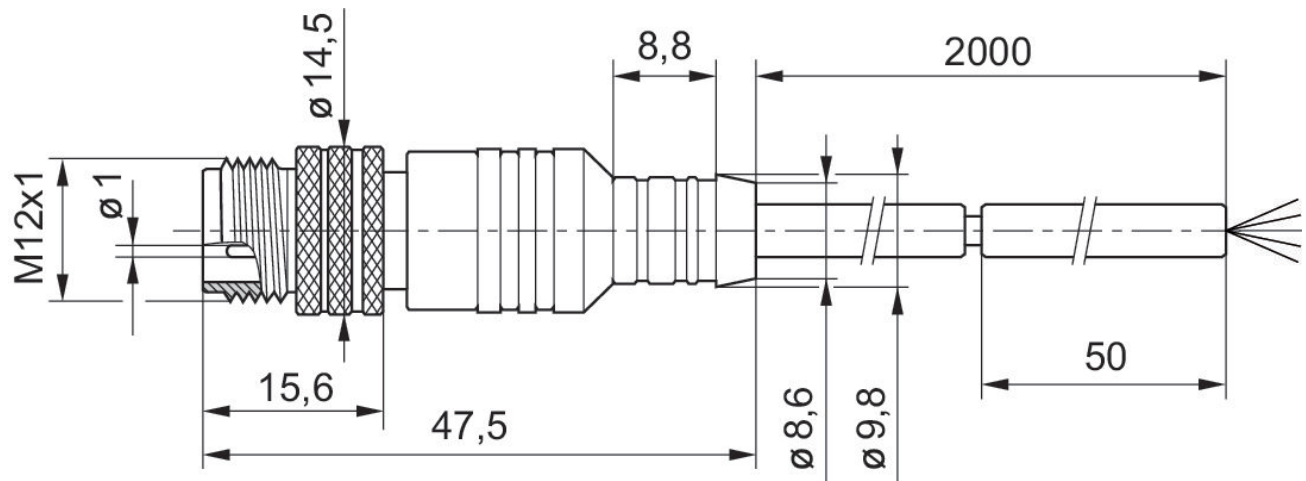
## Material

Material cable sheath	Polyvinyl chloride
Part No.	8946203432

## Technical information

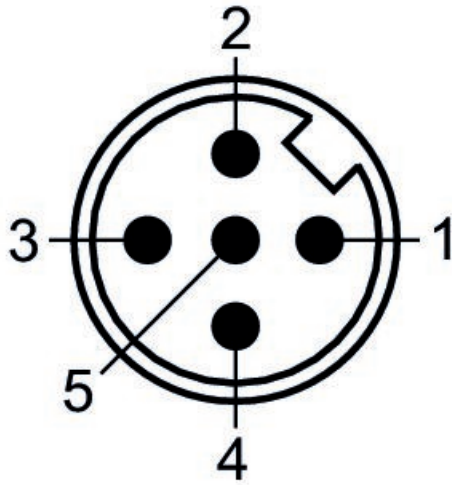
The specified protection class is only valid in assembled and tested state.

## Dimensions



L = length

## Plug pin assignment



(1) BN=brown (2) WH=white (3) BU=blue (4) BK=black (5) GY=green-yellow