

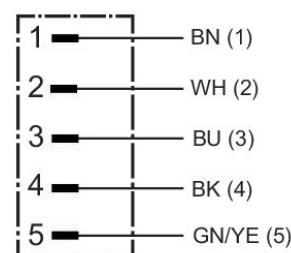
Round plug connector, Series CON-RD

8946203442

General series information

AVENTICS Series CON-RD Round plug connectors with cable

- The AVENTICS Series CON-RD-with cable offers cables with round plug connectors for various types like M8x1, M12x1 or 7/8-16UNC and different cable length, optimized for our focused valves with M8x1 or M12x1 connection and electronic systems like AES and G3.



Technical data

Industry

Industrial

Type

Round plug connectors

Cable

with cable

Electrical connection 1, type

Plug

Electrical connection 1, thread size

M12x1

Electrical connection 1, number of poles

5-pin

Electrical connection 1, coding

A-coded

Cable exit 1

straight

Cable exit angle

180°

Electrical connection 2, type

open cable ends

Electrical connection 2, number of poles

5-pin

Number of wires

5

Shielding

unshielded

Cable length	5 m
Protection class	IP68
Weight	0.238 kg

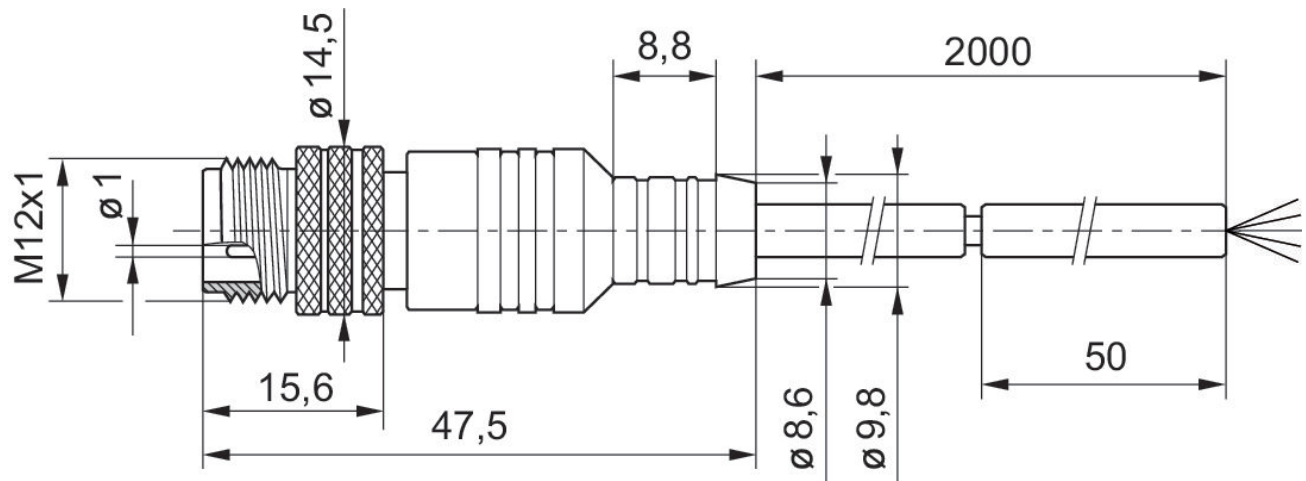
Material

Material cable sheath	Polyvinyl chloride
Part No.	8946203442

Technical information

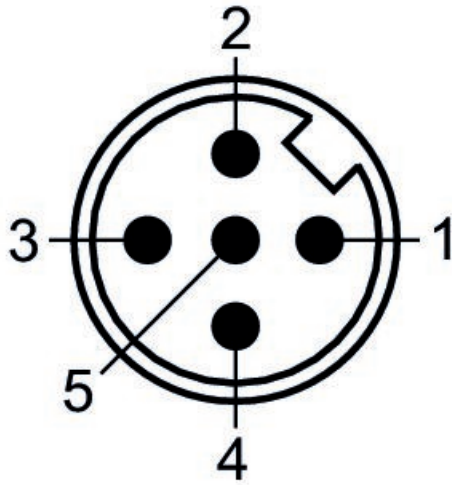
The specified protection class is only valid in assembled and tested state.

Dimensions



L = length

Plug pin assignment



(1) BN=brown (2) WH=white (3) BU=blue (4) BK=black (5) GY=green-yellow