

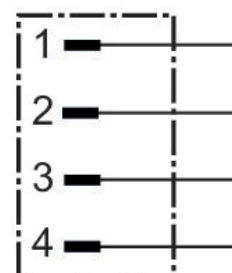
Data final plug, Series CON-RD

8941054064

General series information

AVENTICS Series CON-RD Round plug connectors

- The AVENTICS Series CON-RD offers round plug connectors for self assembly, as well as terminating plug for fieldbus , adaptors and y-connectors as well as IP protection caps.



Technical data

Industry	Industrial
Type	Round plug connectors
Protocol	PROFIBUS DP
Min. ambient temperature	-25 °C
Max. ambient temperature	80 °C
Protection class	IP67
Electrical connection 1, type	Plug
Electrical connection 1, thread size	M12x1
Electrical connection 1, number of poles	4-pin
Electrical connection 1, coding	B-coded
Cable exit	straight
Cable exit angle	180°

Weight 0.013 kg

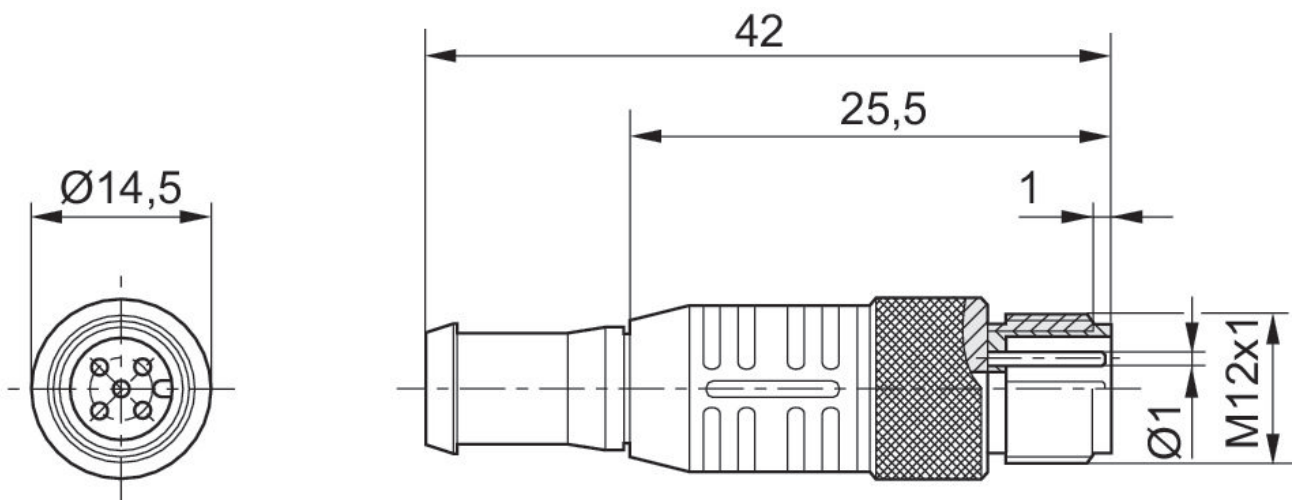
Material

Housing material Thermoplastic elastomer
Part No. 8941054064

Technical information

The specified protection class is only valid in assembled and tested state.
PROFIBUS DP bus termination plug

Dimensions



Plug pin assignment

