

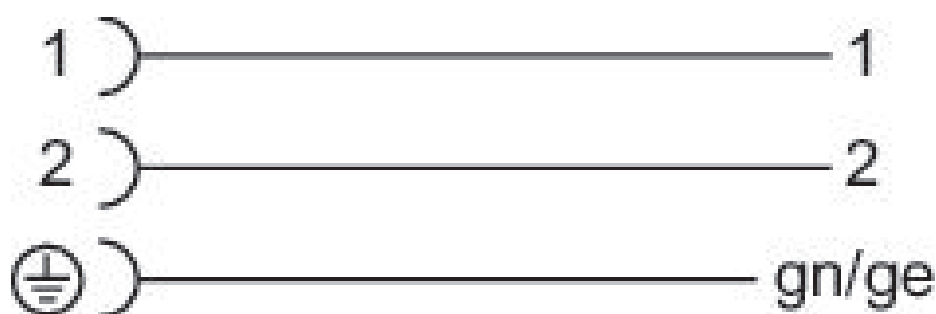
Valve plug connector, series CON-VP

8946201912

General series information

AVENTICS Series CON-VP Valve plug connectors with cable

- The AVENTICS Series CON-VP-with cable offers valve plug connectors with cables of various length, used to connect various valve Series and sensors. The Series covers connector types of Form A, B, B Industry, C and C Industry complying with standards EN 175301-803 (Form A), ISO 6952 (Form B) and ISO 15217 (Form C)



Technical data

Industry	Industrial
Type	Valve plugs
Cable	with cable
Electrical connection 1, type	Socket
Electrical connection 1, thread size	Form B, industry
Electrical connection 1, number of poles	2+E
Cable exit	angled
Cable exit angle	90°
Electrical connection 2, type	open cable ends
Electrical connection 2, number of poles	3-pin
Contact assignment	2+E
Number of wires	3

Shielding	unshielded
Cable length	3 m
Protection class	IP67
Min. ambient temperature	-20 °C
Max. ambient temperature	80 °C
Max. current	4 A
Wire cross-section	0.75 mm ²
Cable-Ø	5.9 mm
Mounting screw tightening torque	0.4 Nm
Weight	0.02 kg

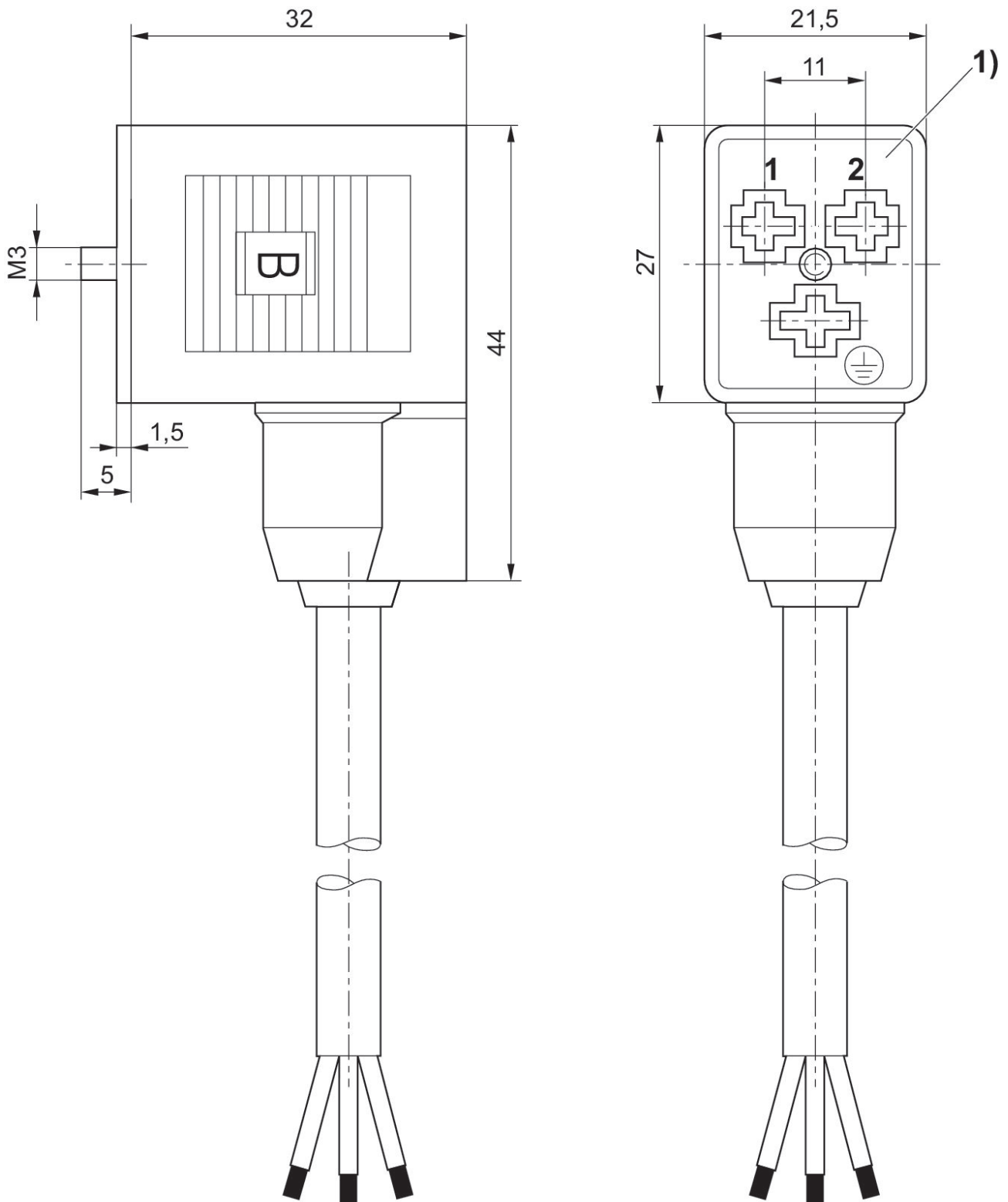
Material

Material cable sheath	Polyvinyl chloride
Part No.	8946201912

Technical information

For security reasons, the valve plug connector must be plugged properly and centrally.
The specified protection class is only valid in assembled and tested state.

Dimensions



1) 0° female insert