

Series H-Controlair®



Technical data

Industry

Industrial

Type

Version H-1-DOT

OUT port – delivers increasing pressure in direct proportion to pedal depression.

Light pedal spring

Type

Poppet valve

Actuating element

Pedal

Compressed air connection input

1/4 NPT

Compressed air connection type input

Internal thread

Compressed air connection output

1/4 NPT

Compressed air connection type output

Internal thread

Min. regulation range

6.9 bar

Medium

Compressed air

Hysteresis

< 0,1 bar

Min. actuating force

67 N

Housing material

Die-cast aluminum

Seal material

Acrylonitrile butadiene rubber

Material pedal

Steel, chrome-plated

Part No.

R431005618

Technical information

IN port = pressure supply

OUT port – delivers increasing pressure in direct proportion to pedal depression.

The min. control pressure must be adhered to, since otherwise faulty switching and valve failure may result!

The pressure dew point must be at least 15 °C less than ambient and medium temperature and may not exceed 3 °C.

The oil content of compressed air must remain constant during the life cycle.

Use only the approved oils from AVENTICS. Further information can be found in the “Technical information” document (available in <https://www.emerson.com/en-us/support>).

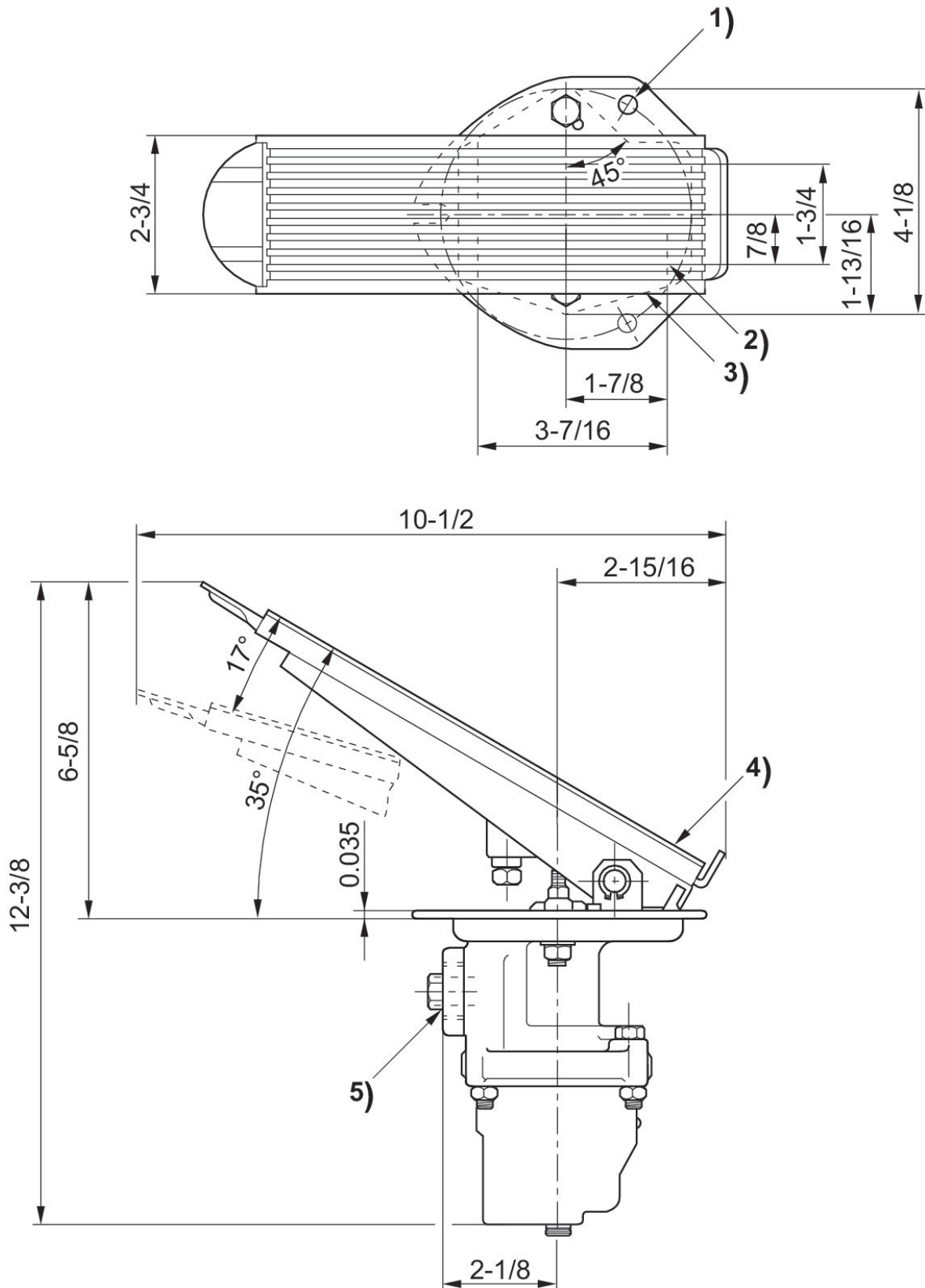
Series H-Controlair®

R431005618

H-
Controlair®

2024-04-02

Dimensions in inches



- 1) panel mounting hole
- 2) Pedal

Series H-Controlair®

R431005618

H-
Controlair®

2024-04-02

- 3) panel mounting hole
- 4) Pedal
- 5) 1/4 - 18 NPTF