

## Series H-Controlair®



### Technical data

Industry	Industrial
Type	Version H-4-G
Type	Poppet valve
Actuating element	Rotary knob
Compressed air connection input	1/4 NPT
Compressed air connection output	1/4 NPT
Compressed air connection type output	Internal thread
Min. working pressure	0.1 bar
Max. working pressure	14 bar
Min. regulation range	0 bar
Max. regulation range	4.5 bar
Min. ambient temperature	-40 °C
Max. ambient temperature	70 °C
Min. medium temperature	-40 °C
Max. medium temperature	70 °C
Medium	Compressed air
Nominal flow Qn	900 l/min
Hysteresis	< 0,07 bar
Weight	2.3 kg

# Series H-Controlair®

R431002963

H-  
Controlair®

2024-04-02

---

Housing material	Die-cast aluminum
Seal material	Acrylonitrile butadiene rubber
Material pedal	Die-cast aluminum
Part No.	R431002963

## Technical information

IN port = pressure supply

OUT port – delivers increasing pressure when lever is moved clockwise from “Off” (facing lever side of valve).

H-4-G, the spring housing area is sealed, and a control signal can be introduced under the diaphragm through the tapped exhaust port. The delivery pressure is then biased (decreased) by this signal. The bias signal must always be lower than the output signal called for by the knob travel.

The min. control pressure must be adhered to, since otherwise faulty switching and valve failure may result!

The pressure dew point must be at least 15 °C less than ambient and medium temperature and may not exceed 3 °C.

The oil content of compressed air must remain constant during the life cycle.

Use only the approved oils from AVENTICS. Further information can be found in the “Technical information” document (available in <https://www.emerson.com/en-us/support>).

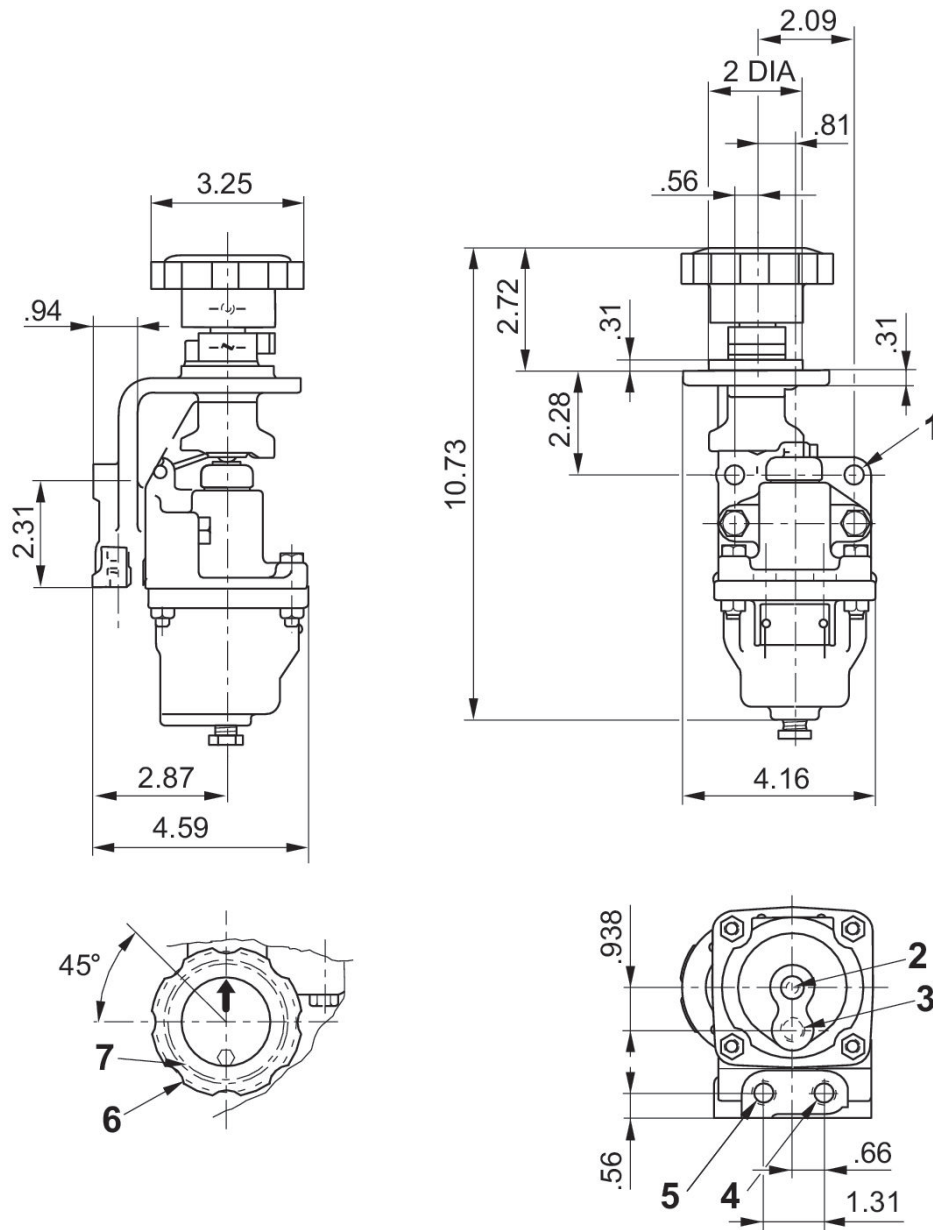
# Series H-Controlair®

R431002963

H-  
Controlair®

2024-04-02

## Dimensions in inches



- 1) Mounting hole 2x Ø41
- 2) Exhaust
- 3) Controlled port
- 4) 1/4 NPT
- 5) Inlet
- 6) Clockwise rotation of the button increases pressure unless otherwise specified, 240° max. effective button rotation. (adjustable)
- 7) #10-24 UNC-28, 4 holes equally spaced on a 2.56 B.C diameter