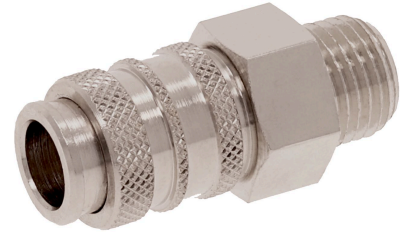


- $Q_n = 3200$  l/min

## AVENTICS Series CP1 Couplings

The AVENTICS Series CP1 of safe couplings using single snap-on coupling are robust, safe and fit two different plug-in profiles, the EURO- profile and the ARO profile.



## Technical data

Industry	Industrial
Port D	NW 10
Port G	G 1/2
Compressed air connection type	External thread
Nominal width NW	10 mm
Nominal flow $Q_n$	3200 l/min
Min. working pressure	0 bar
Max. working pressure	16 bar
Min. ambient temperature	-10 °C
Max. ambient temperature	90 °C
Min. medium temperature	-10 °C
Max. medium temperature	90 °C
Medium	Compressed air
Delivery unit	1 piece
Weight per piece	0.255 kg
Housing material	Brass
Surface housing	nickel-plated
Material release bushing	Brass
Surface release bushing	nickel-plated
Seal material	Acrylonitrile butadiene rubber
Material connector	Brass
Surface connector	nickel-plated
	1823376003

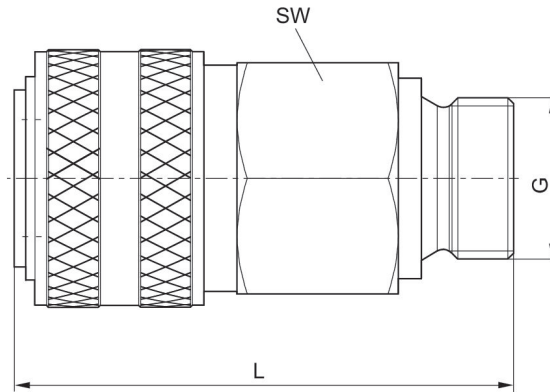
# Lock coupling, Series CP1

1823376003

Series CP1

2024-10-23

## Dimensions



Part No.	Port G	Nominal width NW	L	SW
1823376003	G 1/2	10 mm	65	30