

Coupling plug with tube nut

1823386021

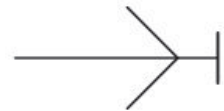
Series CP1

2024-10-23

- $Q_n = 3200 \text{ l/min}$

AVENTICS Series CP1 Couplings

The AVENTICS Series CP1 of safe couplings using single snap-on coupling are robust, safe and fit two different plug-in profiles, the EURO- profile and the ARO profile.



Technical data

Industry	Industrial
Port D	NW 2,7
Port G	Ø 5
Compressed air connection type	Coupling plug
Nominal width NW	2.7 mm
Min. working pressure	0 bar
Max. working pressure	16 bar
Min. ambient temperature	-10 °C
Max. ambient temperature	90 °C
Min. medium temperature	-10 °C
Max. medium temperature	90 °C
Medium	Compressed air
Delivery unit	10 piece
Weight per piece	0.036 kg
Housing material	Brass
Surface housing	nickel-plated
	1823386021

Coupling plug with tube nut

1823386021

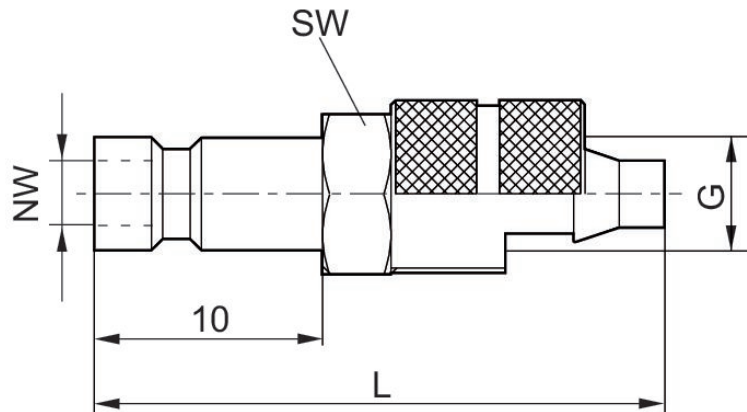
Series CP1

2024-10-23

Technical information

Coupling plugs are applicable for all locking and safety couplings with adequate nominal width

Dimensions



Part No.	G	NW	L	SW
1823386021	Ø5	2,7 mm	25	7
1823386033	Ø6	2,7 mm	24	10