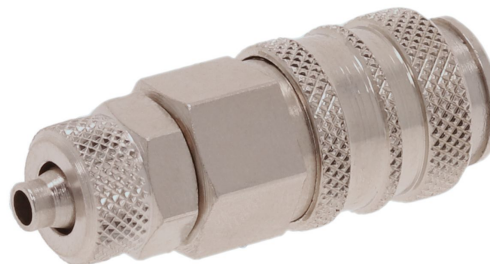


- $Q_n = 3200 \text{ l/min}$

AVENTICS Series CP1 Couplings

The AVENTICS Series CP1 of safe couplings using single snap-on coupling are robust, safe and fit two different plug-in profiles, the EURO- profile and the ARO profile.



Technical data

Industry

Industrial

Note

Archive product: Do not use in new constructions!

Port D

NW 5

Port G

Ø 6

Compressed air connection type

plug-in with tube nut

Nominal width NW

5 mm

Nominal flow Q_n

500 l/min

Min. working pressure

0 bar

Max. working pressure

16 bar

Min. ambient temperature

-10 °C

Max. ambient temperature

90 °C

Min. medium temperature

-10 °C

Max. medium temperature

90 °C

Medium

Compressed air

Delivery unit

2 piece

Weight per piece

0.031 kg

Housing material

Brass

Surface housing

nickel-plated

Material release bushing

Brass

Lock coupling, Series CP1

1823376005

Series CP1

2024-10-23

Surface release bushing

nickel-plated

Seal material

Acrylonitrile butadiene rubber

Material connector

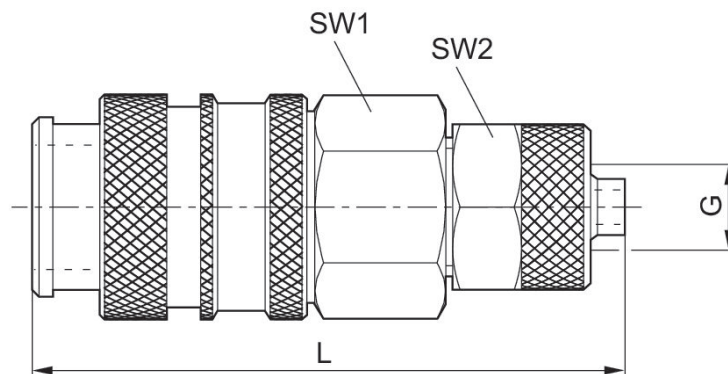
Brass

Surface connector

nickel-plated

1823376005

Dimensions



Part No.	Port G	L	SW 1	SW 2
1823376005	Ø 6	43	14	12