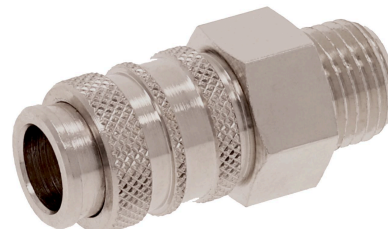


- $Q_n = 3200$  l/min

## AVENTICS Series CP1 Couplings

The AVENTICS Series CP1 of safe couplings using single snap-on coupling are robust, safe and fit two different plug-in profiles, the EURO- profile and the ARO profile.



## Technical data

Industry	Industrial
Port G	G 1/4
Compressed air connection type	External thread
Nominal width NW	5 mm
Nominal flow $Q_n$	500 l/min
Min. working pressure	0 bar
Max. working pressure	16 bar
Min. ambient temperature	-10 °C
Max. ambient temperature	90 °C
Min. medium temperature	-10 °C
Max. medium temperature	90 °C
Medium	Compressed air
Delivery unit	2 piece
Weight per piece	0.035 kg
Housing material	Brass
Surface housing	nickel-plated
Material release bushing	Brass
Surface release bushing	nickel-plated
Seal material	Acrylonitrile butadiene rubber
Material connector	Brass
Surface connector	nickel-plated
	R412010276

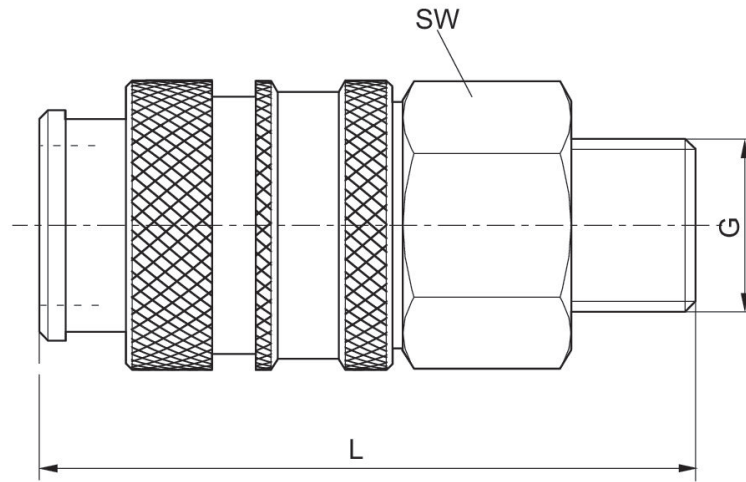
# Lock coupling, Series CP1

R412010276

Series CP1

2024-10-23

## Dimensions



Part No.	Port G	Nominal width NW	L	SW
R412028878	G 1/8	5 mm	35	16
R412010276	G 1/4	5 mm	39	17