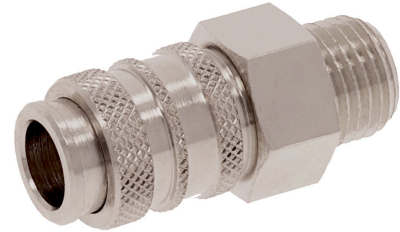


- $Q_n = 3200 \text{ l/min}$

AVENTICS Series CP1 Couplings

The AVENTICS Series CP1 of safe couplings using single snap-on coupling are robust, safe and fit two different plug-in profiles, the EURO- profile and the ARO profile.



Technical data

Industry

Industrial

Note

Archive product: Do not use in new constructions!

Port D

NW 5

Port G

G 1/8

Compressed air connection type

External thread

Nominal width NW

5 mm

Nominal flow Q_n

500 l/min

Min. working pressure

0 bar

Max. working pressure

16 bar

Min. ambient temperature

-10 °C

Max. ambient temperature

90 °C

Min. medium temperature

-10 °C

Max. medium temperature

90 °C

Medium

Compressed air

Delivery unit

2 piece

Weight per piece

0.034 kg

Housing material

Brass

Surface housing

nickel-plated

Material release bushing

Brass

Surface release bushing

nickel-plated

Seal material

Acrylonitrile butadiene rubber

Material connector

Brass

Surface connector

nickel-plated

Lock coupling, Series CP1

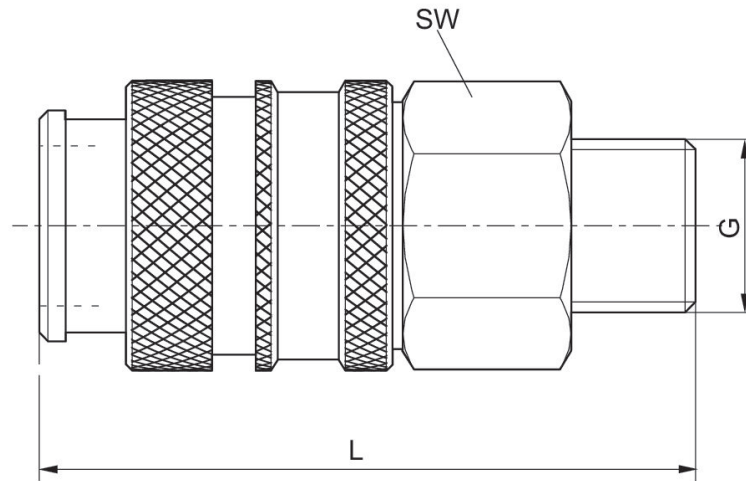
1823376000

Series CP1

2024-10-23

1823376000

Dimensions



Part No.	Port G	Nominal width NW	L	SW
R412028881	M5	2,7 mm	26	9