

- $Q_n = 3200$ l/min

AVENTICS Series CP1 Couplings

The AVENTICS Series CP1 of safe couplings using single snap-on coupling are robust, safe and fit two different plug-in profiles, the EURO- profile and the ARO profile.



Technical data

| | |
|--------------------------------|-----------------|
| Industry | Industrial |
| Port D | NW 7,2 |
| Port G | G 1/4 |
| Compressed air connection type | Internal thread |
| Nominal width NW | 7.2 mm |
| Nominal flow Q_n | 1500 l/min |
| Min. working pressure | 0 bar |
| Max. working pressure | 16 bar |
| Min. ambient temperature | -10 °C |
| Max. ambient temperature | 90 °C |
| Min. medium temperature | -10 °C |
| Max. medium temperature | 90 °C |
| Medium | Compressed air |
| Delivery unit | 2 piece |
| Weight per piece | 0.081 kg |
| Housing material | Brass |
| Surface housing | nickel-plated |
| Material release bushing | Brass |
| Surface release bushing | nickel-plated |

Lock coupling, Series CP1

1823376013

Series CP1

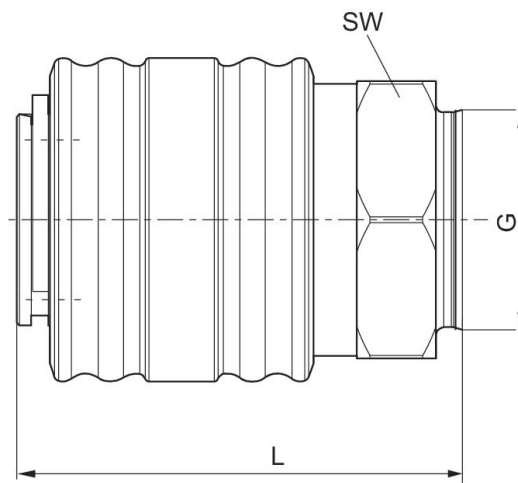
2024-10-23

| | |
|--------------------|--------------------------------|
| Seal material | Acrylonitrile butadiene rubber |
| Material connector | Brass |
| Surface connector | nickel-plated |
| | 1823376013 |

Technical information

Coupling plugs with NW 7.2 (brass) as well as NW 7.8 (steel) fit couplings with NW 7.2.

Dimensions



| Part No. | Port G | Nominal width NW | L | SW |
|------------|--------|------------------|----|----|
| 1823376013 | G 1/4 | 7,2 mm | 41 | 21 |