

- 360° rotatable - even under pressure
- 1800 l/min
- -20 °C to +100 °C
- ISO 4414 and DIN EN 983
- silicone-free

AVENTICS Series CP2 Couplings

The AVENTICS Series CP2 of safety couplings for your pneumatic connections. Their two-stage actuation makes operation easy and even safer by preventing the dangerous bullwhip effect during decoupling. CP2 Series couplings are the ideal solution for every situation. They can be used in any mounting orientation, can be flexibly rotated by 360° even under pressure, are silicon-free, meet standards ISO 4414 and DIN EN 983, and are compliant with REACH and RoHs. With a high nominal flow of 1800 h l/min, an operating pressure of 1 to 16 bar, and applications in a temperature range from -20° to +100°C, the CP2 couplings are ideal for virtually every pneumatic application.



Technical data

Industry

Industrial

Note

Archive product: Do not use in new constructions!

Port G

G 1/2

Compressed air connection type

External thread

Nominal width NW

7.4 mm

Nominal flow Qn

1800 l/min

Min. working pressure

0 bar

Max. working pressure

16 bar

Min. ambient temperature

-20 °C

Max. ambient temperature

100 °C

Min. medium temperature

-20 °C

Max. medium temperature

100 °C

Medium

Compressed air

Neutral gases

Delivery unit

1 piece

Weight per piece

0.14 kg

Housing material

Aluminum

Surface housing

anodized

Seal material

caoutchouc/butadiene caoutchouc

Safety coupling, Series CP2

R412026339

Series CP2

2024-11-05

Material connector

Steel, chrome-plated

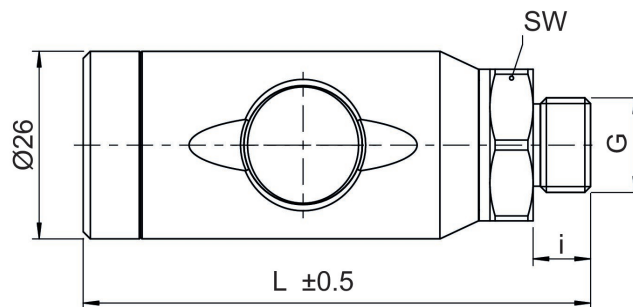
R412026339

Technical information

Actuation: Push button

To account for wear we recommend plugs made of steel with EURO profile, nominal width 7.8.

Dimensions



| Part No. | Port G | Nominal width NW | L | i | SW |
|------------|--------|------------------|------|----|----|
| R412026337 | G 1/4 | 7,4 mm | 70.5 | 8 | 21 |
| R412026338 | G 3/8 | 7,4 mm | 70.5 | 8 | 21 |
| R412026339 | G 1/2 | 7,4 mm | 74.5 | 10 | 24 |