

Series DDL

The AVENTICS Series DDL allows for a flexible fieldbus strategy and extended diagnostic functionality. Extended diagnostic functionality up to the pilot valve provides detailed information in case of an error. I/O-modules and E/P pressure regulators complete the product portfolio.



Technical data

Industry	Industrial
Version	Driver
Fieldbus protocol	DeviceNet
E/A capable	connection with I/O
Number of I/O connections	1 output / 1 input
Signal connection E/A type	Socket (female)
Signal connection E/A thread size	M12
Signal connection E/A number of poles	5-pin
Fieldbus design	S-design
Certificates	ATEX
ATEX	ATEX
ATEX ID	II 3G Ex nA IIB T4 Gc X
Min. ambient temperature	5 °C
Max. ambient temperature	50 °C
Operational voltage electronics	24 V DC
Electronics voltage tolerance	-20% / +20%
Operating voltage, actuators	24 V DC
Actuator voltage tolerance	0% / +10%
Total output for valves	3 A
Protection class	IP65
Run-up time	2 s
Data transfer bit	128 bit

Max. cable length	40 m
Max. number of DDL participants	14
Number of inputs	1
Number of outputs	1
Communication port 1, Type	Plug (male)
Communication port , Thread size	M12x1
Communication port 1, Number of poles	5-pin
Communication port 1, Coding	A-coded
Communication port 2, Type	Socket (female)
Communication port 2, Thread size	M12x1
Communication port 2, Number of poles	5-pin
Communication port , Coding	A-coded
Electrical connection type	Plug (male)
Electrical connection size	M12x1
Electrical connection number of poles	4-pin
Electrical connection coding	A-coded
Weight	0.66 kg

Material

Housing material	Aluminum Stainless Steel Polyarylamide
Part No.	R412006999

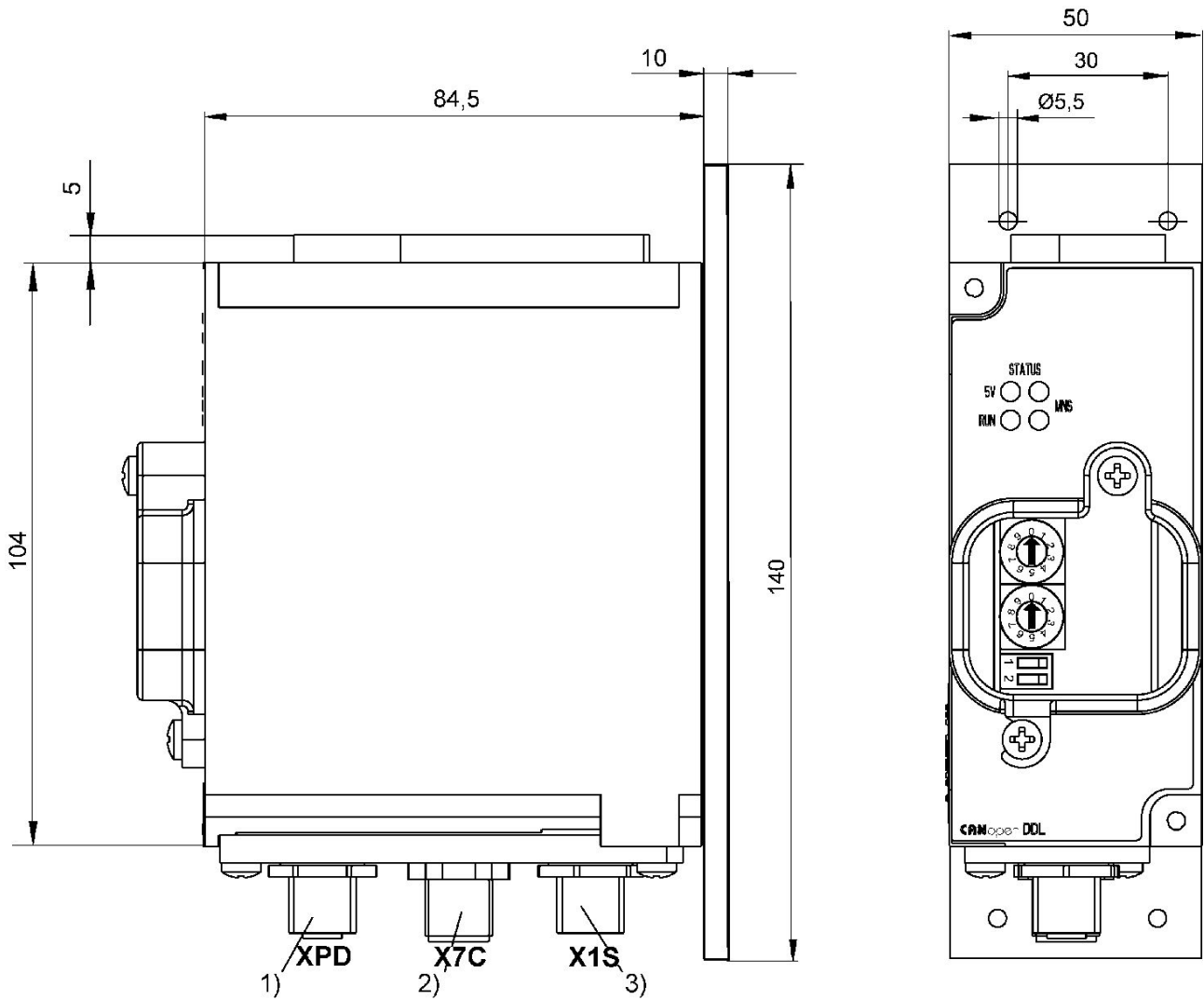
Technical information

Max. current in 0 V line: 4 A

You will find assignment schemes for the product in the operating instructions, or contact the nearest AVENTICS sales office.

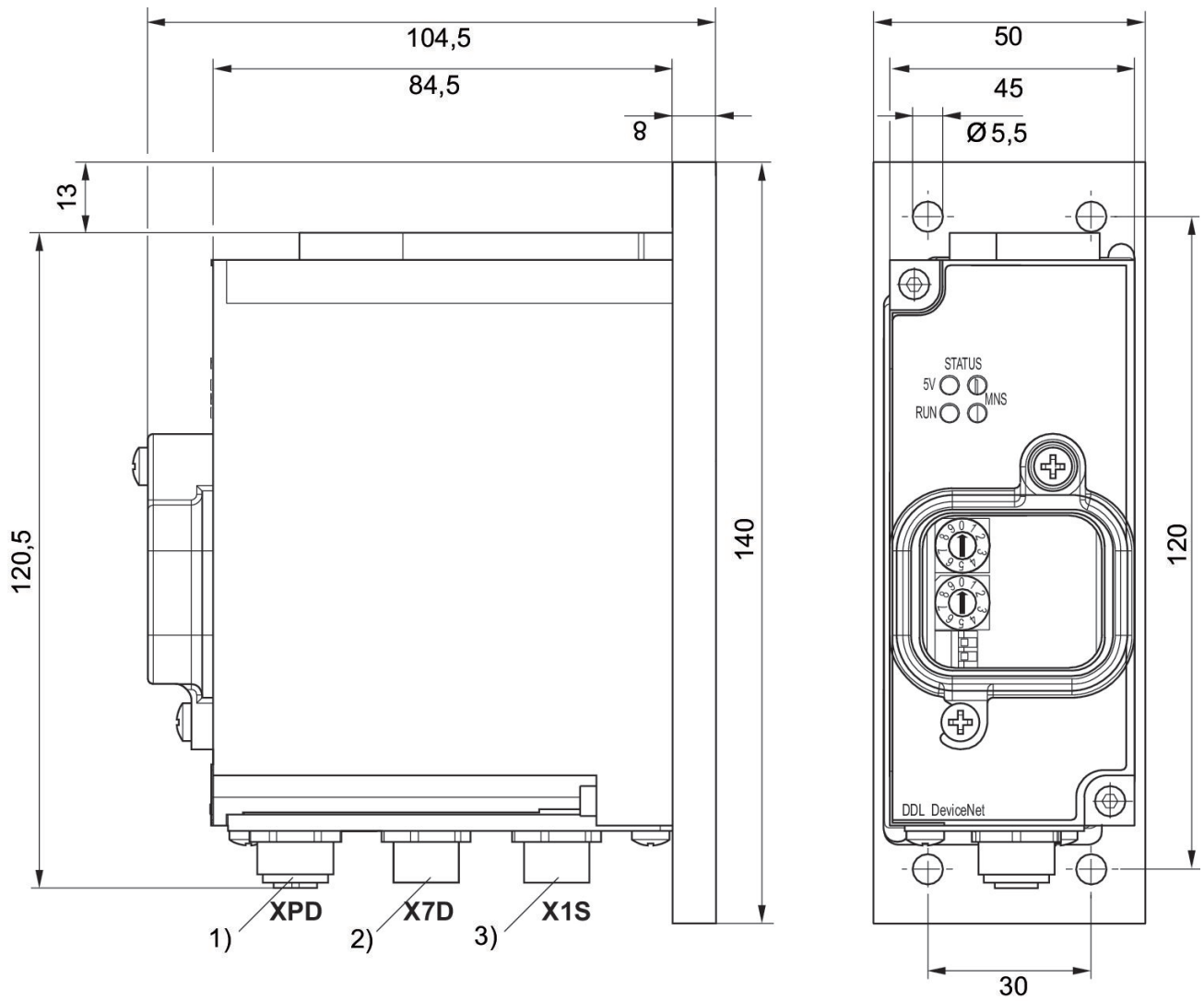
Caution: A reduced temperature range in accordance with the operating instructions may need to be considered in ATEX applications.

Dimensions



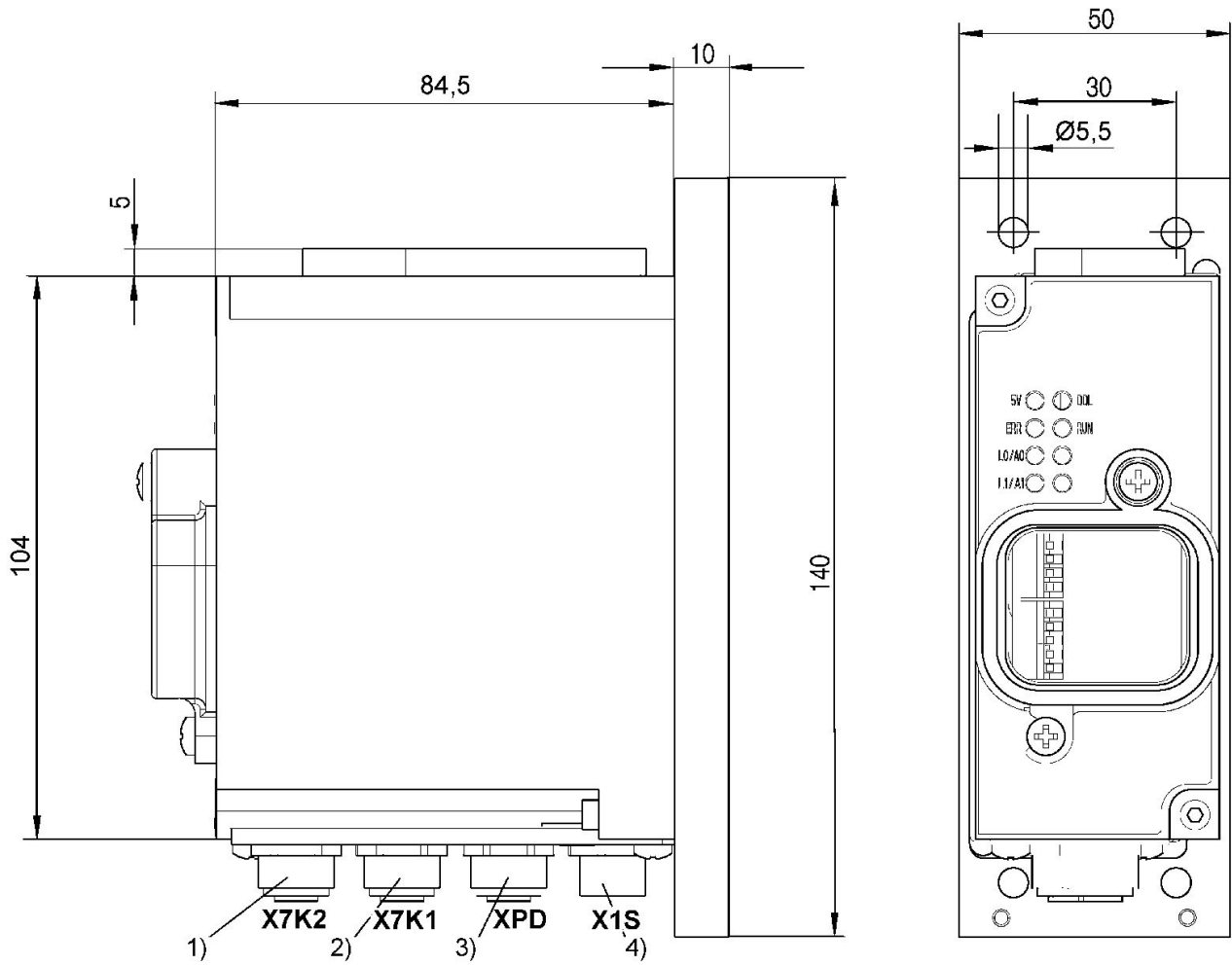
- 1) DDL, M12, 5-pin
- 2) Bus, M12x1, A-coded, 5-pin
- 3) Power supply plug M12x1, 4-pin

Fig. 5



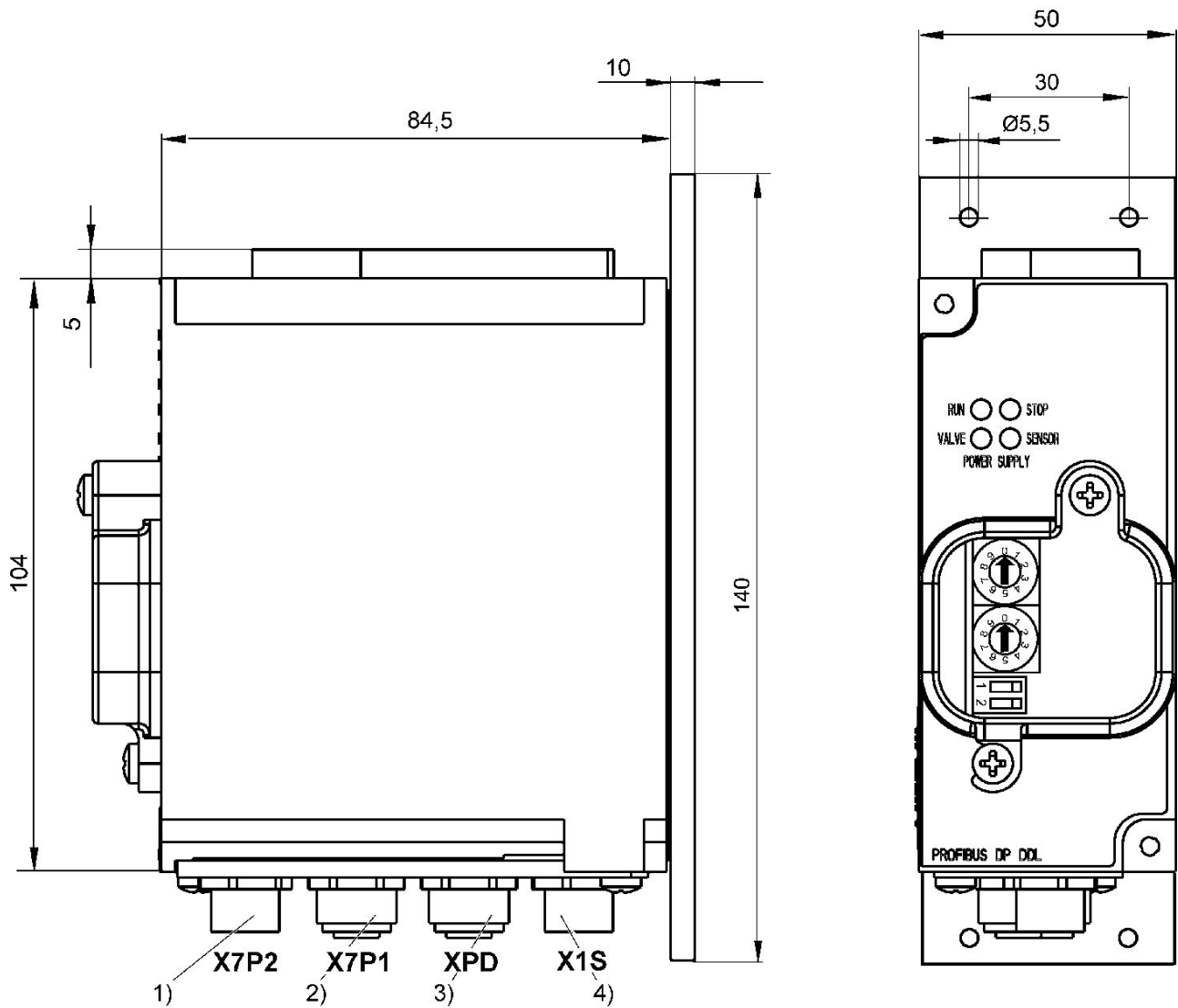
- 1) DDL, M12, 5-pin
- 2) Bus, M12x1, 5-pin
- 3) Power supply plug M12x1, 4-pin

Fig. 4



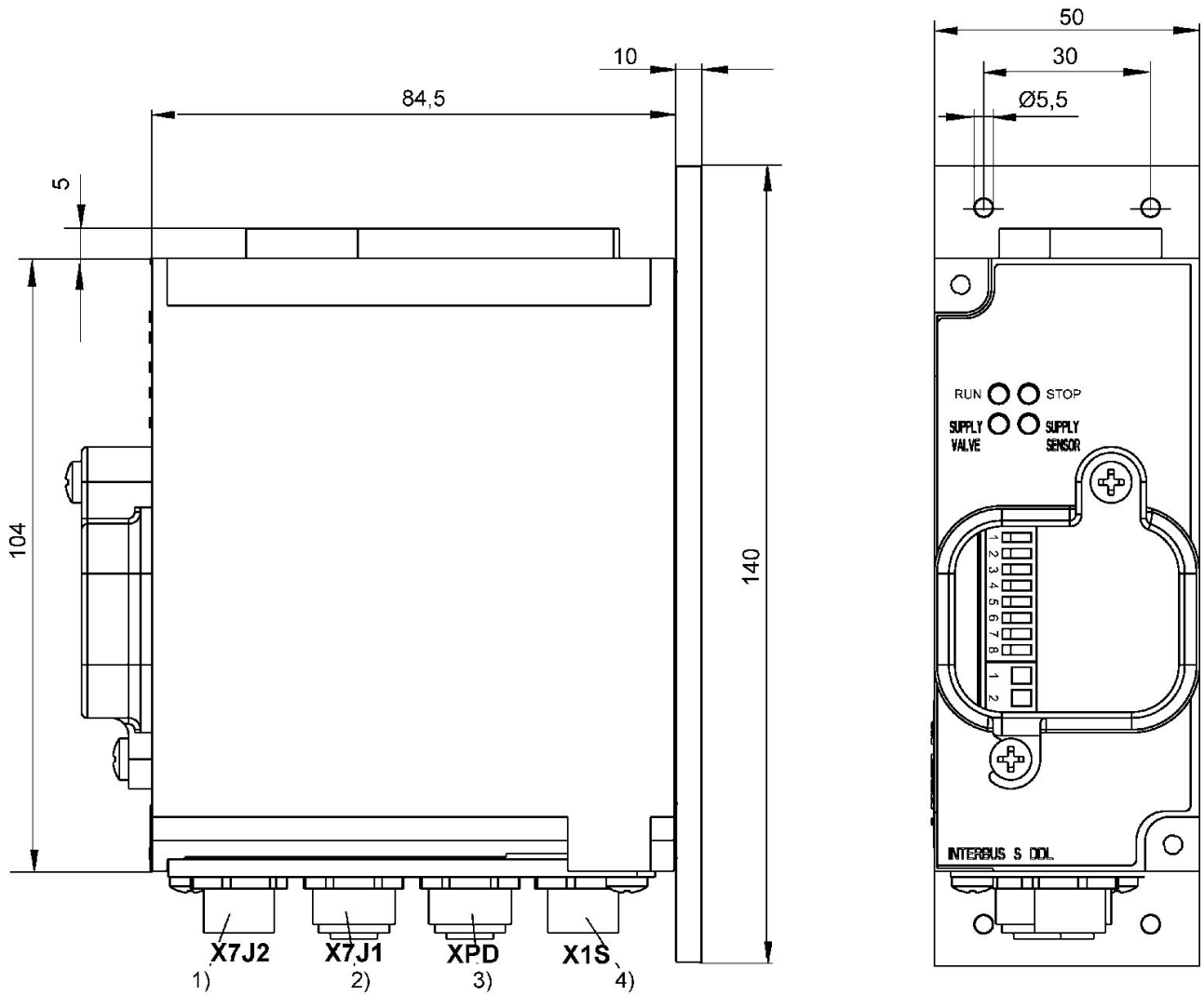
- 1) bus IN, M12x1, D-coded
- 2) Bus OUT, M12x1, D-coded
- 3) DDL, M12, 5-pin
- 4) Power supply plug M12x1, 4-pin

Fig. 1



- 1) bus IN, M12x1, B-coded
- 2) bus OUT, M12x1, B-coded
- 3) DDL, M12, 5-pin
- 4) Power supply plug M12x1, 4-pin

Fig. 2



- 1) bus IN, M12x1, B-coded
- 2) bus OUT, M12x1, B-coded
- 3) DDL, M12, 5-pin
- 4) Power supply plug M12x1, 4-pin