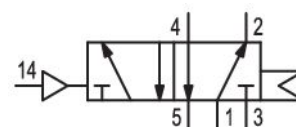


5/2-directional valve, Series IS12, size 2

0820225101

ISO 5599-1, size 2, series IS12

■ $Q_n = [[1700 \dots 2500] \text{ l/min}]$



Technical data

Industry

Industrial

Activation

Pneumatically

Nominal flow Q_n

2500 l/min

Compressed air connection output

Base plate ISO 5599-1

Connection type

Plate connection

Working pressure min.

2 bar

Working pressure max

10 bar

Sealing principle

Soft Seal

Standards

ISO 5599-1

Valve type

Spool valve, positive overlapping

Version

ISO 2

Pilot

External

Blocking principle

Single base plate principle

Control pressure min.

2 bar

Control pressure max.

10 bar

Min. ambient temperature

0 °C

Max. ambient temperature

80 °C

Min. medium temperature

0 °C

Max. medium temperature
80 °C

Medium
Compressed air

Max. particle size
5 µm

Oil content of compressed air min.
0 mg/m³

Oil content of compressed air max.
5 mg/m³

Compressed air connection
Base plate ISO 5599-1

Compressed air connection input
Base plate ISO 5599-1

Mounting screw
M6 with hexagon socket

Mounting screw tightening torque
4 Nm

Weight
0.48 kg

Housing material
Polyamide

Seal material
Acrylonitrile butadiene rubber

Material, front cover
Polyamide

Part No.
0820225101

Technical information

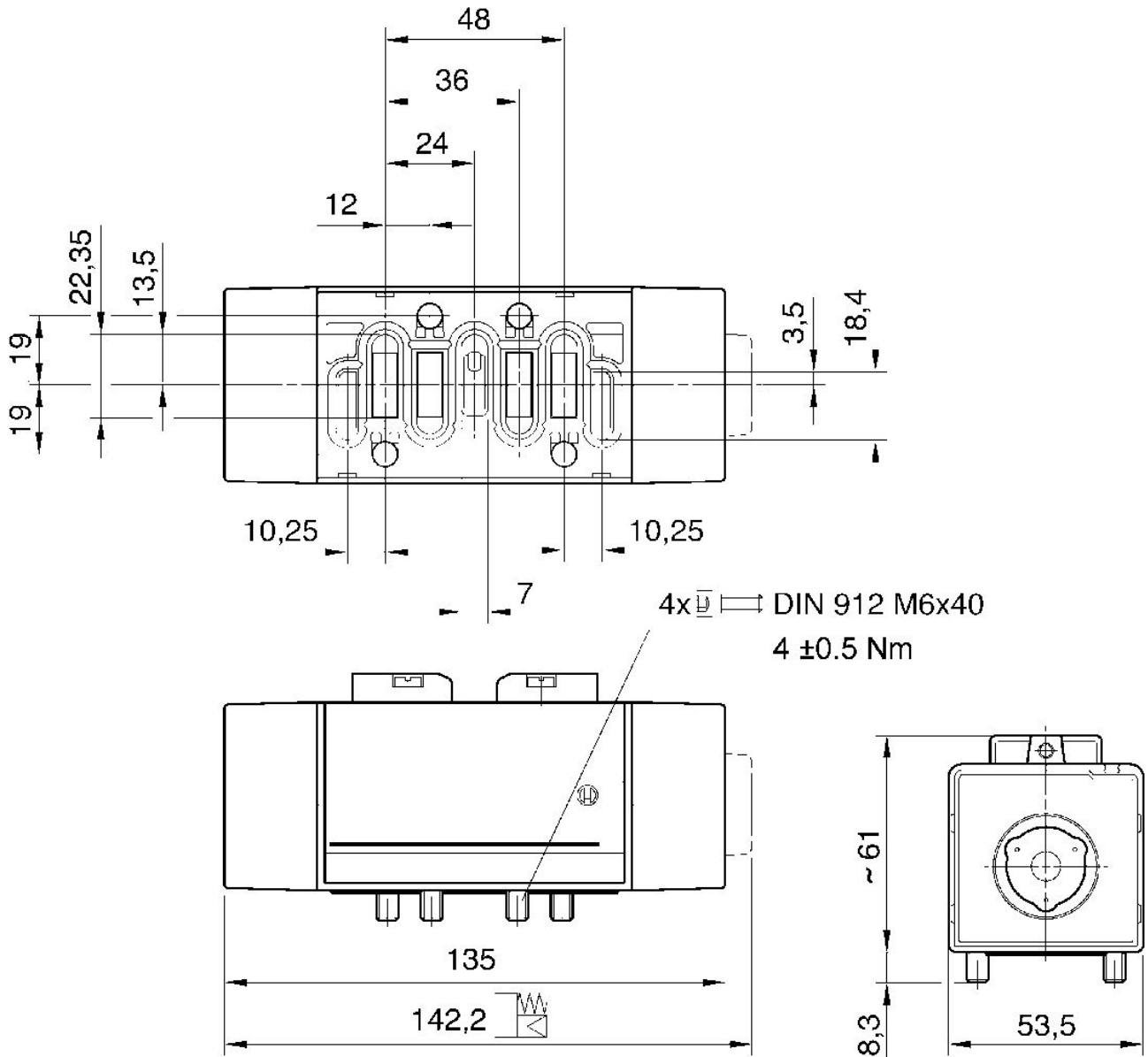
The min. control pressure must be adhered to, since otherwise faulty switching and valve failure may result!

The pressure dew point must be at least 15 °C under ambient and medium temperature and may not exceed 3 °C .

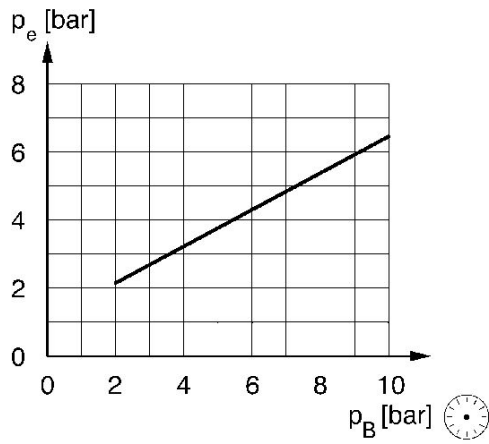
The oil content of compressed air must remain constant during the life cycle.

Use only the approved oils from AVENTICS. Further information can be found in the “Technical information” document (available in <https://www.emerson.com/en-us/support>).

Dimensions



External pilot pressure



P_e = external control pressure, min.
 P_B = Working pressure