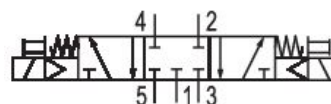
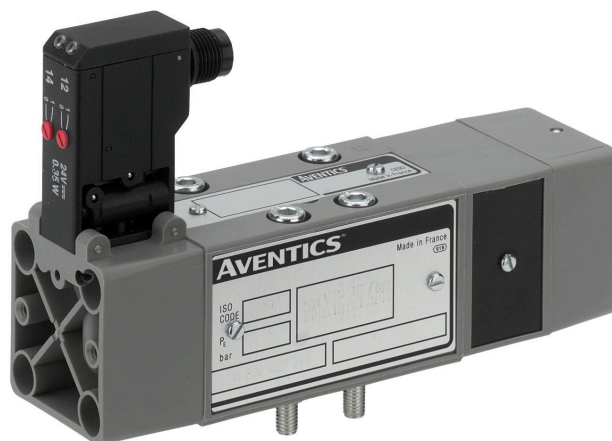


0820027275

## Series IS12, size 1

The AVENTICS Series IS12 complies with the valve standard ISO 5599-1. The Series offers electrically controlled ISO valves of size IOS1 and 2 with Form A or central M12 connectors.



## Technical data

Industry	Industrial
Activation	Electrically
Nominal flow Q <sub>n</sub>	880 l/min
Version	Closed Center
Compressed air connection output	Base plate ISO 5599-1
Min. working pressure	2.5 bar
Max. working pressure	10 bar
Operational voltage	24 V DC
Operational voltage DC	24 V
Voltage tolerance DC	-10% / +10%
Manual override	without detent
Electrical connection type	Plug
Electrical connection size	M12
Electrical connection number of poles	3-pin
Actuating control	Double Solenoid
Sealing principle	Soft seal
Pilot	Internal
Standards	ISO 5599-1
Pilot valve width	15 mm

0820027275

---

Valve type	Spool valve, positive overlapping
Blocking principle	Single base plate principle
Connection type	Plate connection
Compressed air connection input	Base plate ISO 5599-1
Compressed air connection, exhaust	Base plate ISO 5599-1
Compressed air connection pilot input	Base plate ISO 5599-1
Compressed air connection pilot exhaust	Base plate ISO 5599-1
Power consumption DC	0.35 W
Nominal resistance	1480 $\Omega$
Frame size	ISO 1
Min. control pressure	2.5 bar
Max. control pressure	10 bar
Min. ambient temperature	0 °C
Max. ambient temperature	50 °C
Min. medium temperature	0 °C
Max. medium temperature	50 °C
Medium	Compressed air
Max. particle size	5 $\mu\text{m}$
Min. oil content of compressed air	0 mg/m <sup>3</sup>
Max. oil content of compressed air	5 mg/m <sup>3</sup>
Protection class with connection	IP65
LED status display	Yellow
Duty cycle	100 %
Typ. switch-on time	16 ms
Mounting screws	M5 with hexagon socket
Mounting screw tightening torque	2.2 Nm
Weight	0.31 kg
Housing material	Polyamide
Seal material	Acrylonitrile butadiene rubber
Material front plate	Polyamide
Part No.	0820027275

## Technical information

The min. control pressure must be adhered to, since otherwise faulty switching and valve failure may result!

The pressure dew point must be at least 15 °C less than ambient and medium temperature and may not exceed 3 °C.

The oil content of compressed air must remain constant during the life cycle.

Use only the approved oils from AVENTICS. Further information can be found in the "Technical information" document (available in <https://www.emerson.com/en-us/support>).

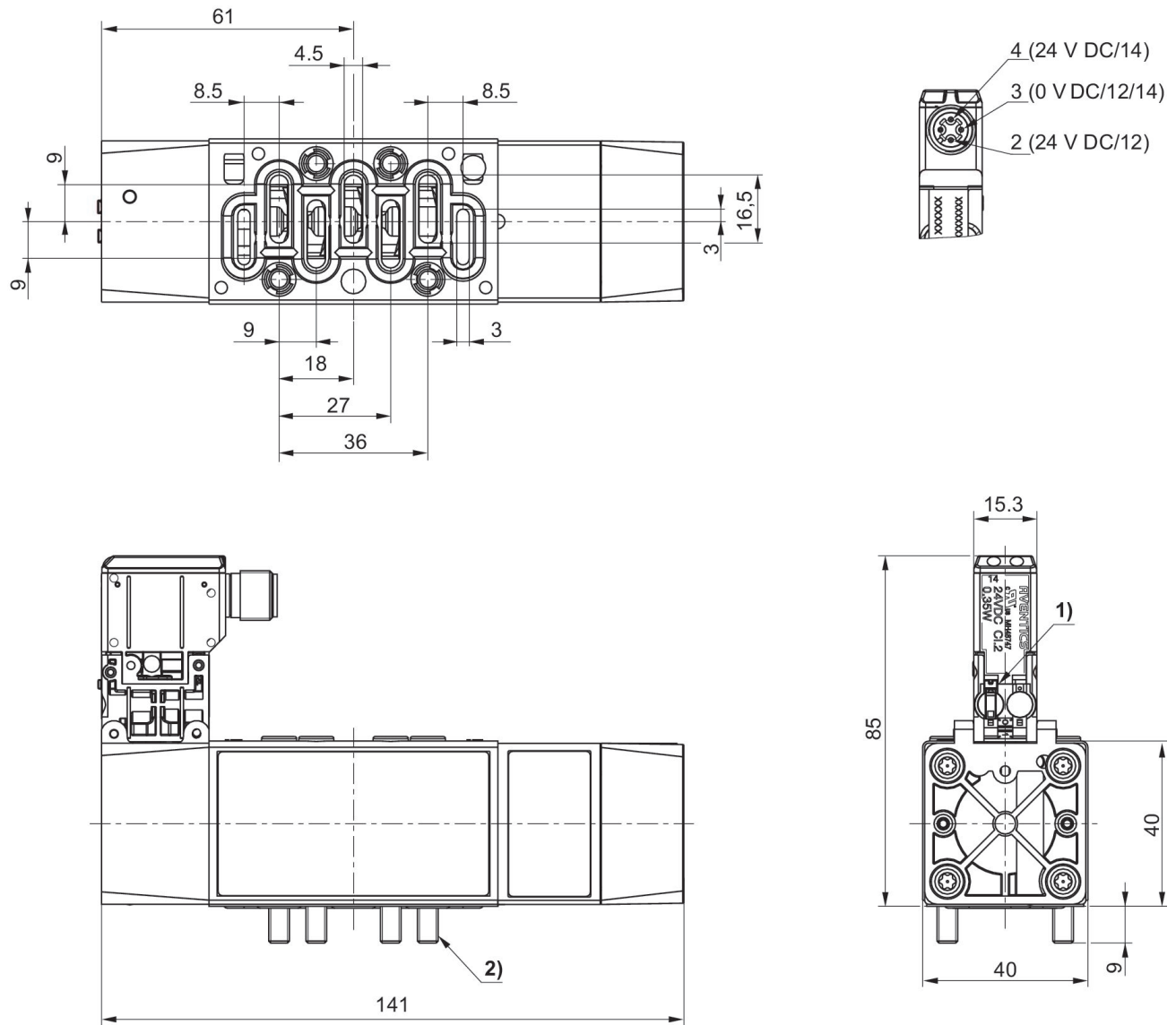
Switch-on power: 1 W for 40 ms

# 5/3-directional valve, Series IS12, size 1

2024-03-18

0820027275

## Dimensions



- 1) Manual override
- 2) 4 screws M4x40 DIN 912