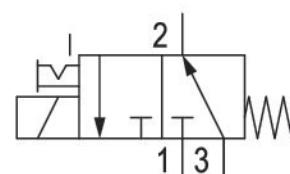
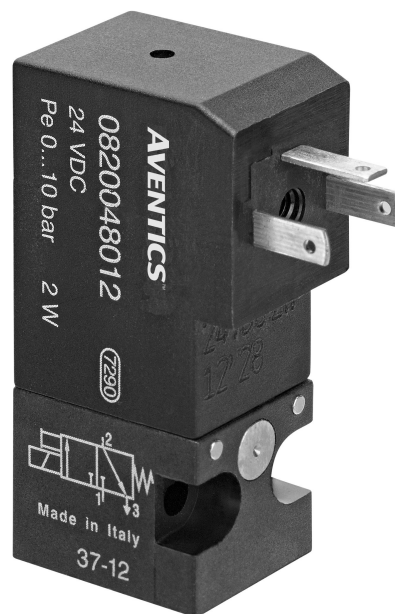


3/2-directional valve, Series DO16

0820048126

General series information
AVENTICS Series DO Directional valves

- The AVENTICS Series DO offer a simple, reliable and robust solution for all classical pilot control functions with direct electrical operation.



Technical data

Industry	Industrial
Activation	Electrically
Switching principle	3/2, with spring return
Function	NO
Working pressure min.	0 bar
Working pressure max	8 bar
Operational voltage	24 V DC
DC operating voltage	24 V
Voltage tolerance DC	-10% / +15%
Manual override	with detent
Electrical connection type	Plug
Electrical connection size	ISO 15217, form C

Valve type	Poppet valve
Sealing principle	Soft Seal
Connection type	Plate connection
Min. ambient temperature	-10 °C
Max. ambient temperature	50 °C
Min. medium temperature	-10 °C
Max. medium temperature	50 °C
Medium	Compressed air
Max. particle size	5 µm
Oil content of compressed air min.	0 mg/m ³
Oil content of compressed air max.	5 mg/m ³
Nominal flow Qn 1 to 2	20 l/min
Nominal flow Qn 2 to 3	26 l/min
Power consumption DC	2 W
Duty cycle	100 %
Protection class acc. to DIN EN 61140	Class I
Protection class with connection	IP65
Mounting on manifold strip	PRS strip
mounting screws	M3
Weight	0.035 kg

Material

Housing material	polyphenylene sulfide Polyamide fiber-glass reinforced
Seal material	Acrylonitrile butadiene rubber
Part No.	0820048126

Technical information

The min. control pressure must be adhered to, since otherwise faulty switching and valve failure may result!

The pressure dew point must be at least 15 °C under ambient and medium temperature and may not exceed 3 °C .

The oil content of compressed air must remain constant during the life cycle.

Use only the approved oils from AVENTICS. Further information can be found in the “Technical information” document (available in <https://www.emerson.com/en-us/support>).

Dimensions

