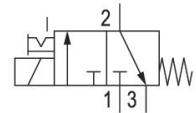


- Various connection options possible
- Assembly takes place on manifold strips
- Extensive voltage range
- ATEX version available

AVENTICS Series DO Directional valves

The AVENTICS Series DO offer a simple, reliable and robust solution for all classical pilot control functions with direct electrical operation.



Technical data

Industry	Industrial
Activation	Electrically
Note	Archive product: Do not use in new constructions!
Frame size	DO22
Valve type	Poppet valve
Switching principle	3/2, with spring return
Valve function	NC
Sealing principle	Soft seal
Connection type	Pipe connection
Manual override	with detent
Compressed air connection	M5
Standard compressed air connection	according to ISO 16030
Compressed air connection input	M5
Compressed air connection output	M5
Compressed air connection, exhaust	M5
Nominal flow Qn	40 l/min
Nominal flow Qn 1 to 2	40 l/min
Nominal flow Qn 2 to 3	52 l/min
Min. working pressure	0 bar

3/2-directional valve, Series DO22, M5

Series DO

0820019006

2024-10-01

Max. working pressure	10 bar
Electrical connection size	Form B, industry
Protection class with connection	IP65
Reverse polarity protection	Protected against polarity reversal
Operational voltage	24 V DC
Operational voltage DC	24 V
Voltage tolerance DC	-10 % / +10 %
Coil width	22 mm
Pilot valve width	22 mm
Compatibility index	14
Power consumption DC	4.8 W
Nominal resistance	121 Ω
Duty cycle	100 %
Typ. switch-on time	22 ms
Typ. switch-off time	20 ms
Blocking principle	Single base plate principle
Blocking principle	Single valve
Can be assembled into blocks	Can be assembled into blocks
Min. ambient temperature	-10 °C
Max. ambient temperature	50 °C
Min. medium temperature	-10 °C
Max. medium temperature	50 °C
Medium	Compressed air
Min. oil content of compressed air	1 mg/m ³
Max. oil content of compressed air	5 mg/m ³
Max. particle size	5 μm
Weight	0.134 kg
Material	
Housing material	Die cast zinc
Seal material	Fluorocautchouc
Part No.	0820019006

Technical information

If the valves are blocked, the permissible ambient temperature drops to 35°C with a 100% duty cycle.

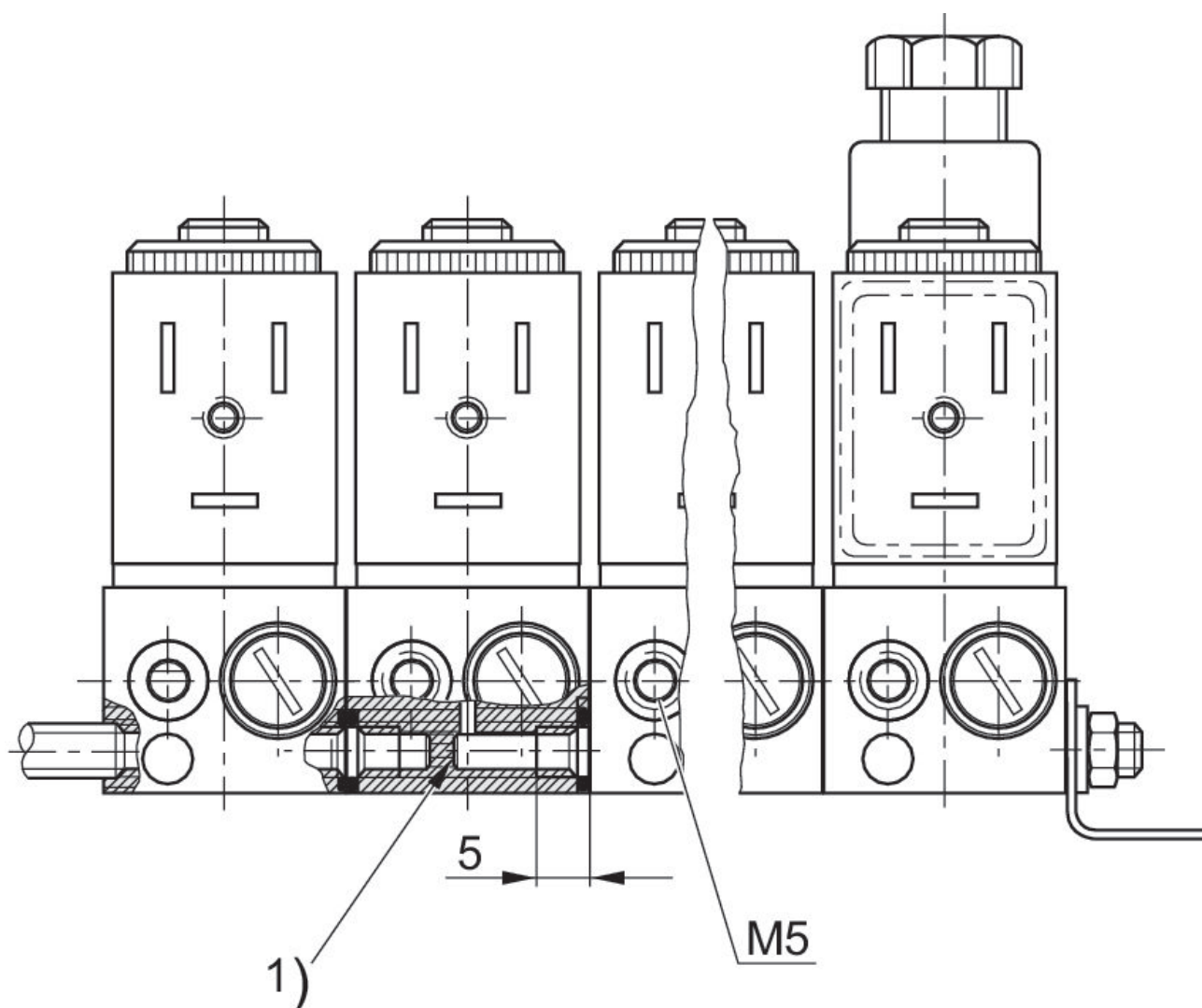
The min. control pressure must be adhered to, since otherwise faulty switching and valve failure may result!

The pressure dew point must be at least 15 °C less than ambient and medium temperature and may not exceed 3 °C.

The oil content of compressed air must remain constant during the life cycle.

Use only the approved oils from AVENTICS. Further information can be found in the “Technical information” document (available in <https://www.emerson.com/en-us/support>).

Overview drawing



Before assembly, the blanking tab must be broken through with a punch (Ø4 mm).

3/2-directional valve, Series DO22, M5

Series DO

0820019006

2024-10-01

Dimensions

