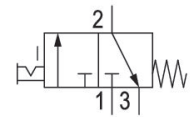


- Various connection options possible
- Assembly takes place on manifold strips
- Extensive voltage range
- ATEX version available

AVENTICS Series DO Directional valves

The AVENTICS Series DO offer a simple, reliable and robust solution for all classical pilot control functions with direct electrical operation.



Technical data

Industry

Industrial

Activation

Electrically

Note

Archive product: Do not use in new constructions!

Frame size

DO22

Valve type

Poppet valve

Basic valve equipment

Basic valve without coil

Switching principle

3/2, with spring return

Valve function

NC

Sealing principle

Soft seal

Connection type

Pipe connection

Manual override

with detent

Compressed air connection

M5

Standard compressed air connection

according to ISO 16030

Compressed air connection input

M5

Compressed air connection output

M5

Compressed air connection, exhaust

M5

Nominal flow Q_n

40 l/min

Nominal flow Q_n 1 to 2

40 l/min

Nominal flow Q_n 2 to 3

52 l/min

3/2-directional valve, Series DO22, M5

Series DO

0820019990

2024-10-14

Min. working pressure	0 bar
Max. working pressure	10 bar
Electrical connection size	Form B, industry
Reverse polarity protection	Protected against polarity reversal
Coil width	22 mm
Pilot valve width	22 mm
Compatibility index	14
Duty cycle	100 %
Typ. switch-on time	22 ms
Typ. switch-off time	20 ms
Blocking principle	Single base plate principle
Blocking principle	Single valve
Can be assembled into blocks	Can be assembled into blocks
ATEX	Suitable for ATEX
Min. ambient temperature	-10 °C
Max. ambient temperature	50 °C
Min. medium temperature	-10 °C
Max. medium temperature	50 °C
Medium	Compressed air
Min. oil content of compressed air	1 mg/m ³
Max. oil content of compressed air	5 mg/m ³
Max. particle size	5 µm
Weight	0.08 kg
Material	
Housing material	Die cast zinc
Seal material	Fluorocautchouc
Part No.	0820019990

Technical information

If the valves are blocked, the permissible ambient temperature drops to 35°C with a 100% duty cycle.

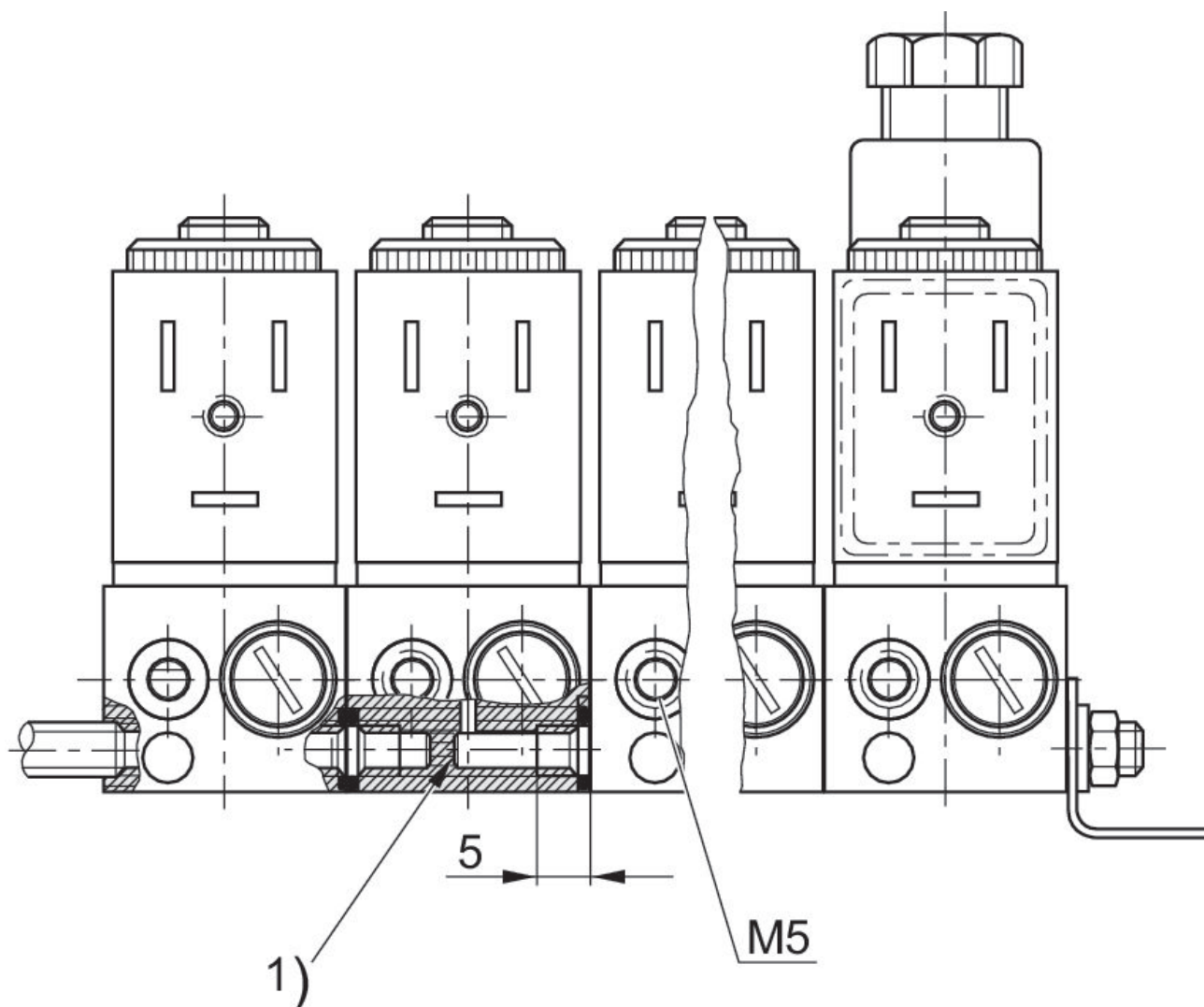
The min. control pressure must be adhered to, since otherwise faulty switching and valve failure may result!

The pressure dew point must be at least 15 °C less than ambient and medium temperature and may not exceed 3 °C.

The oil content of compressed air must remain constant during the life cycle.

Use only the approved oils from AVENTICS. Further information can be found in the “Technical information” document (available in <https://www.emerson.com/en-us/support>).

Overview drawing



Before assembly, the blanking tab must be broken through with a punch (Ø4 mm).

3/2-directional valve, Series DO22, M5

0820019990

Series DO

2024-10-14

Dimensions

