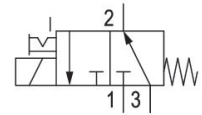


- Various connection options possible
- Assembly takes place on manifold strips
- Extensive voltage range
- ATEX version available

## AVENTICS Series DO Directional valves

The AVENTICS Series DO offer a simple, reliable and robust solution for all classical pilot control functions with direct electrical operation.



## Technical data

Industry

Industrial

Activation

Electrically

Note

Archive product: Do not use in new constructions!

Frame size

DO22

Valve type

Poppet valve

Switching principle

3/2, with spring return

Valve function

NO

Sealing principle

Soft seal

Connection type

Pipe connection

Manual override

with detent

Compressed air connection

M5

Standard compressed air connection

according to ISO 16030

Compressed air connection input

M5

Compressed air connection output

M5

Compressed air connection, exhaust

M5

Nominal flow Q<sub>n</sub>

40 l/min

Nominal flow Q<sub>n</sub> 1 to 2

40 l/min

Nominal flow Q<sub>n</sub> 2 to 3

52 l/min

Min. working pressure

0 bar

# 3/2-directional valve, Series DO22, M5

Series DO

0820019114

2024-10-01

|                                    |                                     |
|------------------------------------|-------------------------------------|
| Max. working pressure              | 10 bar                              |
| Electrical connection size         | Form B, industry                    |
| Protection class with connection   | IP65                                |
| Reverse polarity protection        | Protected against polarity reversal |
| Operational voltage                | 24 V AC                             |
| Operational voltage AC at 50 Hz    | 24 V                                |
| Voltage tolerance AC 50 Hz         | -10 % / +10 %                       |
| Coil width                         | 22 mm                               |
| Pilot valve width                  | 22 mm                               |
| Compatibility index                | 14                                  |
| Holding power AC 50 Hz             | 8.9 VA                              |
| Holding power AC 60 Hz             | 7.3 VA                              |
| Switch-on power AC 50 Hz           | 12 VA                               |
| Switch-on power AC 60 Hz           | 9.9 VA                              |
| Duty cycle                         | 100 %                               |
| Typ. switch-on time                | 22 ms                               |
| Typ. switch-off time               | 20 ms                               |
| Blocking principle                 | Single base plate principle         |
| Blocking principle                 | Single valve                        |
| Can be assembled into blocks       | Can be assembled into blocks        |
| Min. ambient temperature           | -10 °C                              |
| Max. ambient temperature           | 50 °C                               |
| Min. medium temperature            | -10 °C                              |
| Max. medium temperature            | 50 °C                               |
| Medium                             | Compressed air                      |
| Min. oil content of compressed air | 1 mg/m <sup>3</sup>                 |
| Max. oil content of compressed air | 5 mg/m <sup>3</sup>                 |
| Max. particle size                 | 5 µm                                |
| Weight                             | 0.134 kg                            |
| <b>Material</b>                    |                                     |
| Housing material                   | Die cast zinc                       |
| Seal material                      | Fluorocaoutchouc                    |

Part No.

0820019114

## Technical information

If the valves are blocked, the permissible ambient temperature drops to 35°C with a 100% duty cycle.

The min. control pressure must be adhered to, since otherwise faulty switching and valve failure may result!

The pressure dew point must be at least 15 °C less than ambient and medium temperature and may not exceed 3 °C.

The oil content of compressed air must remain constant during the life cycle.

Use only the approved oils from AVENTICS. Further information can be found in the “Technical information” document (available in <https://www.emerson.com/en-us/support>).

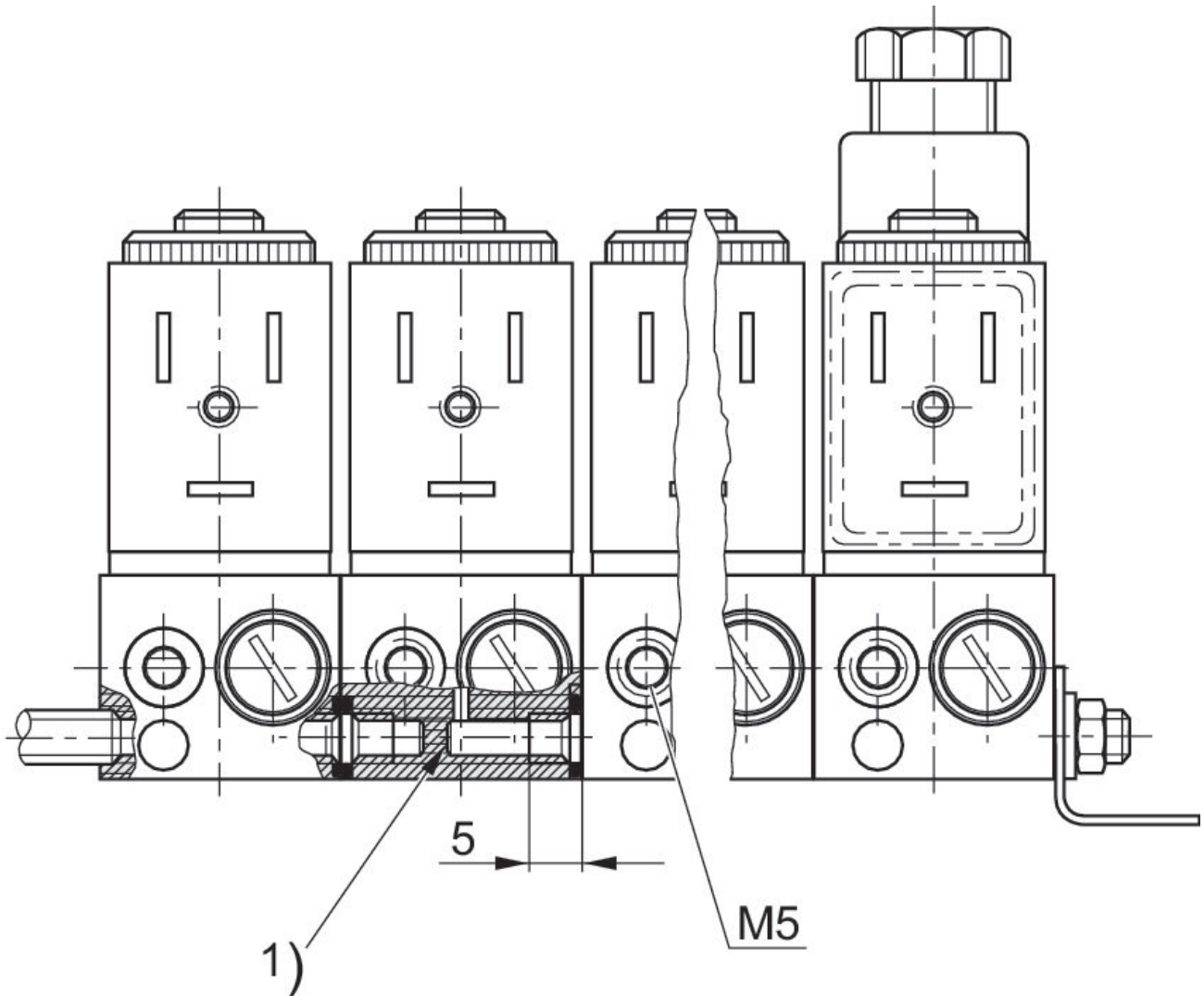
# 3/2-directional valve, Series DO22, M5

0820019114

Series DO

2024-10-01

## Overview drawing



Before assembly, the blanking tab must be broken through with a punch ( $\varnothing 4$  mm).

# 3/2-directional valve, Series DO22, M5

Series DO

0820019114

2024-10-01

## Dimensions

