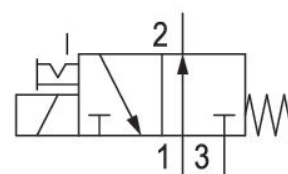


# 3/2-directional valve, Series DO35

0820005200

General series information  
AVENTICS Series DO Directional valves

- The AVENTICS Series DO offer a simple, reliable and robust solution for all classical pilot control functions with direct electrical operation.



## Technical data

Industry	Industrial
Activation	Electrically
Switching principle	3/2, with spring return
Function	NO
Compressed air connection output	G 1/8
Compressed air connection input	G 1/8
Compressed air connection, exhaust	G 1/8
Working pressure min.	0 bar
Working pressure max	10 bar
Operational voltage	230 V AC
Operational voltage AC at 50 Hz	230 V
Voltage tolerance AC 50 Hz	-10% / +10%
Manual override	with detent
Electrical connection type	Plug

Electrical connection size	EN 175301-803, form A
Valve type	Poppet valve
Sealing principle	Soft Seal
Connection type	Pipe connection
Min. ambient temperature	-10 °C
Max. ambient temperature	50 °C
Min. medium temperature	-10 °C
Max. medium temperature	50 °C
Medium	Compressed air
Max. particle size	5 µm
Oil content of compressed air min.	0 mg/m <sup>3</sup>
Oil content of compressed air max.	5 mg/m <sup>3</sup>
Nominal flow Qn 1 to 2	110 l/min
Nominal flow Qn 2 to 3	130 l/min
Holding power AC 50 Hz	14 VA
Switch-on power AC 50 Hz	21 VA
Duty cycle	100 %
Protection class with connection	IP65
mounting screws	M5

## Material

Seal material	Fluorocautchouc
Part No.	0820005200

## Technical information

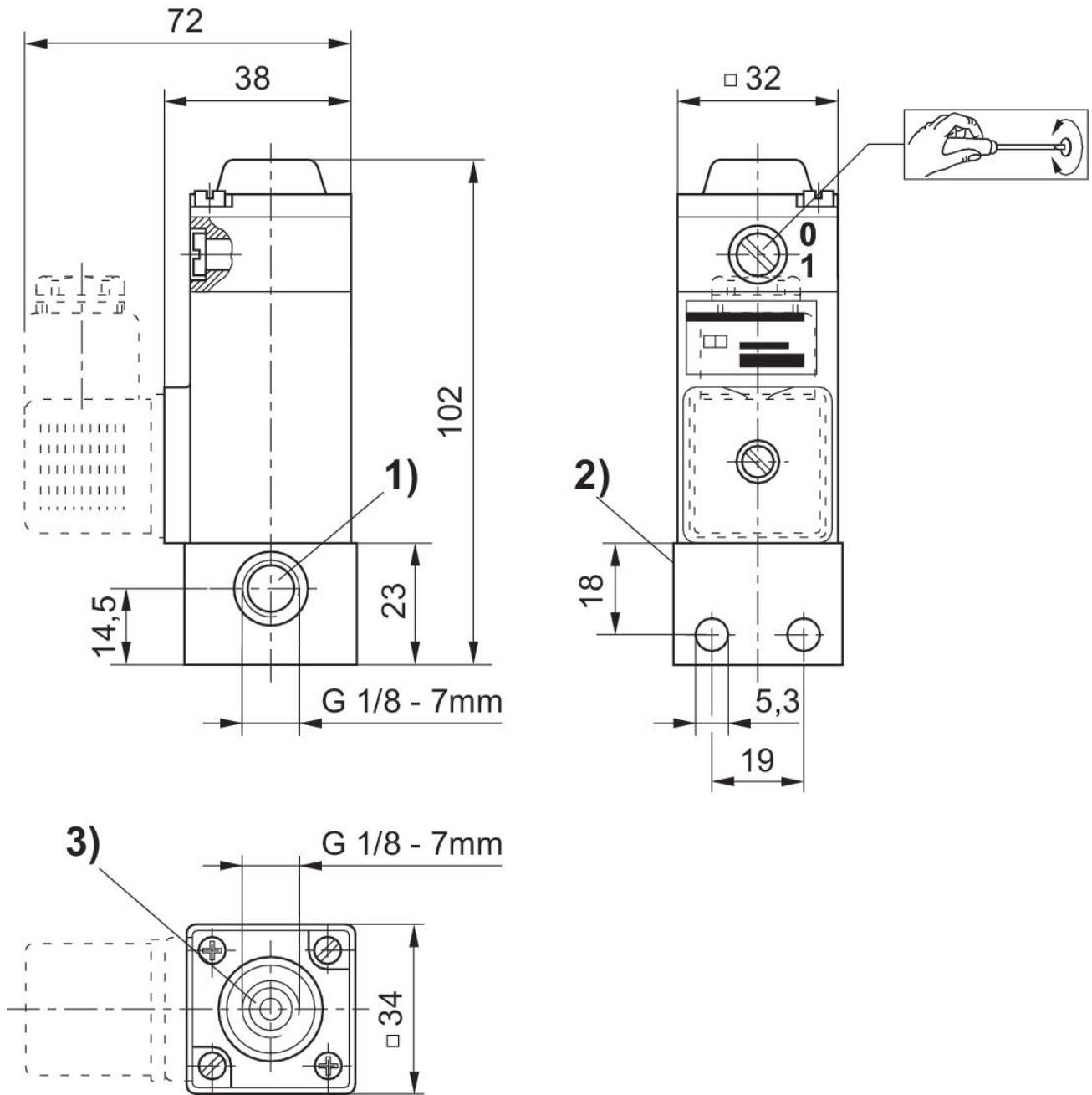
The min. control pressure must be adhered to, since otherwise faulty switching and valve failure may result!

The pressure dew point must be at least 15 °C under ambient and medium temperature and may not exceed 3 °C .

The oil content of compressed air must remain constant during the life cycle.

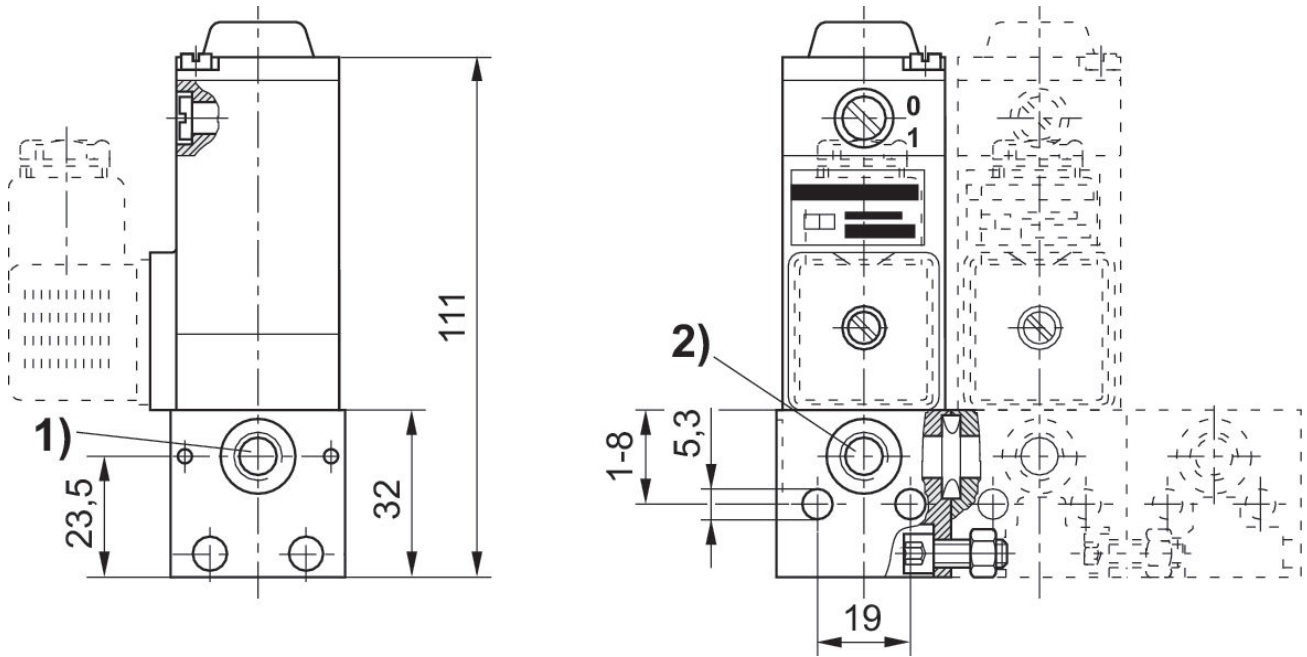
Use only the approved oils from AVENTICS. Further information can be found in the "Technical information" document (available in <https://www.emerson.com/en-us/support>).

single connecting valve



- 1) Port 1 (Input)
- 2) Port 2 (Output)
- 3) Port 3 (Exhaust)

manifold valve



- 1) Port 1 (Input)
- 2) Port 2 (Output)