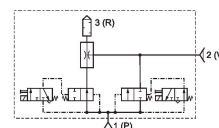
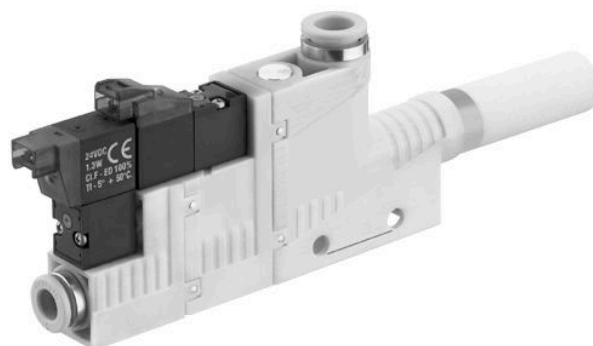


AVENTICS Series EBS Ejectors

The AVENTICS Series EBS ejectors are the convincing and talented multi-taskers within the AVENTICS ejector Series. Parallel to the main advantages of this ejector Series, these ejectors offer additional benefits due to their enormous versatility.



Technical data

Industry	Industrial
Activation	Electrically
Note	push-in fitting
Type	Ejector
Version	electrical control, T-design
with silencer	with silencer
Nozzle Ø	2 mm
Min. working pressure	3 bar
Max. working pressure	6 bar
Min. ambient temperature	0 °C
Max. ambient temperature	50 °C
Min. medium temperature	0 °C
Max. medium temperature	50 °C
Medium	Compressed air
Min. oil content of compressed air	0 mg/m ³
Max. oil content of compressed air	1 mg/m ³
Max. particle size	5 µm
Compressed air connection	Ø 8
Vacuum connection+	Ø 10

Ejector, Series EBS

2024-02-20

R412007465

Max. suction capacity	123 l/min
Air consumption at p.opt.	208 l/min
Max. vacuum level at p.opt	86 %
Sound pressure level intake effect	68 dB
Sound pressure level intake effect	77 dB
release valve	release valve
Display	LED
Protection class according to EN 60529:2000, without electrical connector	IP40
Operational voltage DC	24 V
Voltage tolerance DC	- 5% / +10%
Power consumption solenoid valve	1.3 W
Weight	0.146 kg
Housing material	Polyamide fiber-glass reinforced
Seal material	Acrylonitrile butadiene rubber
Nozzle material	Aluminum
Material release ring	Polyamide
Silencer material	Polyethylene
Part No.	R412007465

Technical information

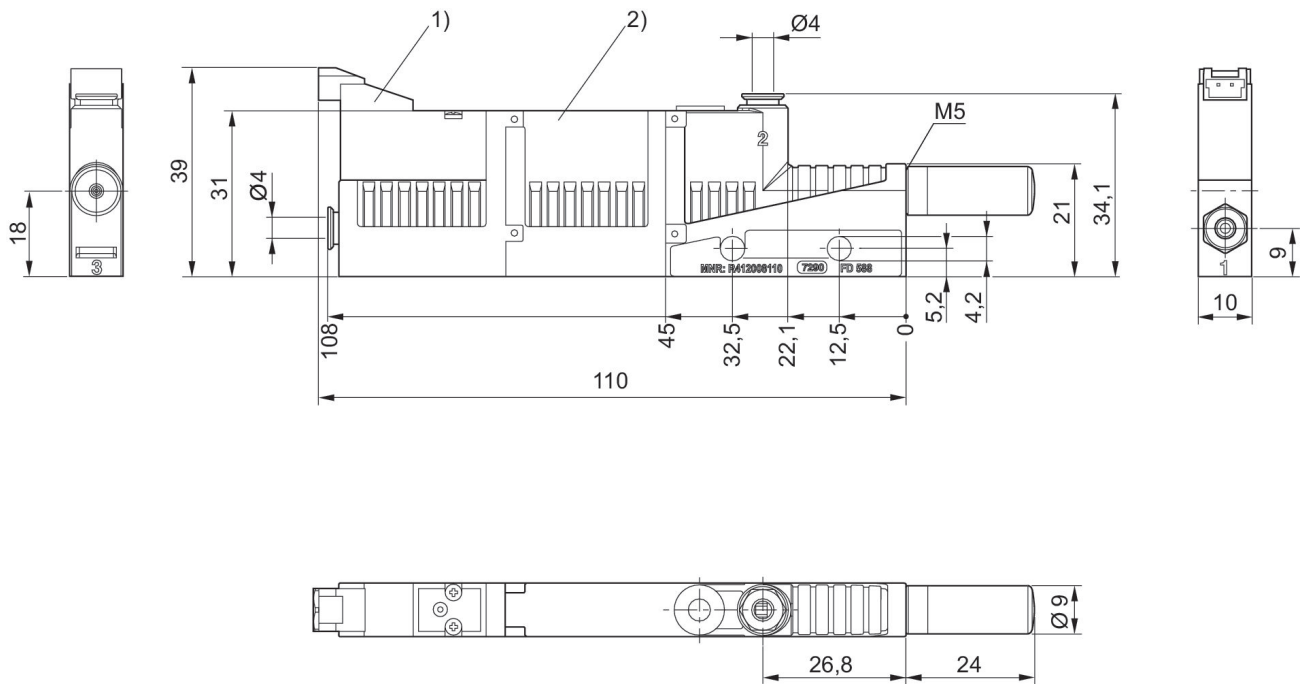
Note: All data refers to an ambient pressure of $[[1,013]]$ bar] and an ambient temperature of $[[20]]^{\circ}\text{C}$.
The pressure dew point must be at least 15°C less than ambient and medium temperature and may not exceed 3°C .

Ejector, Series EBS

2024-02-20

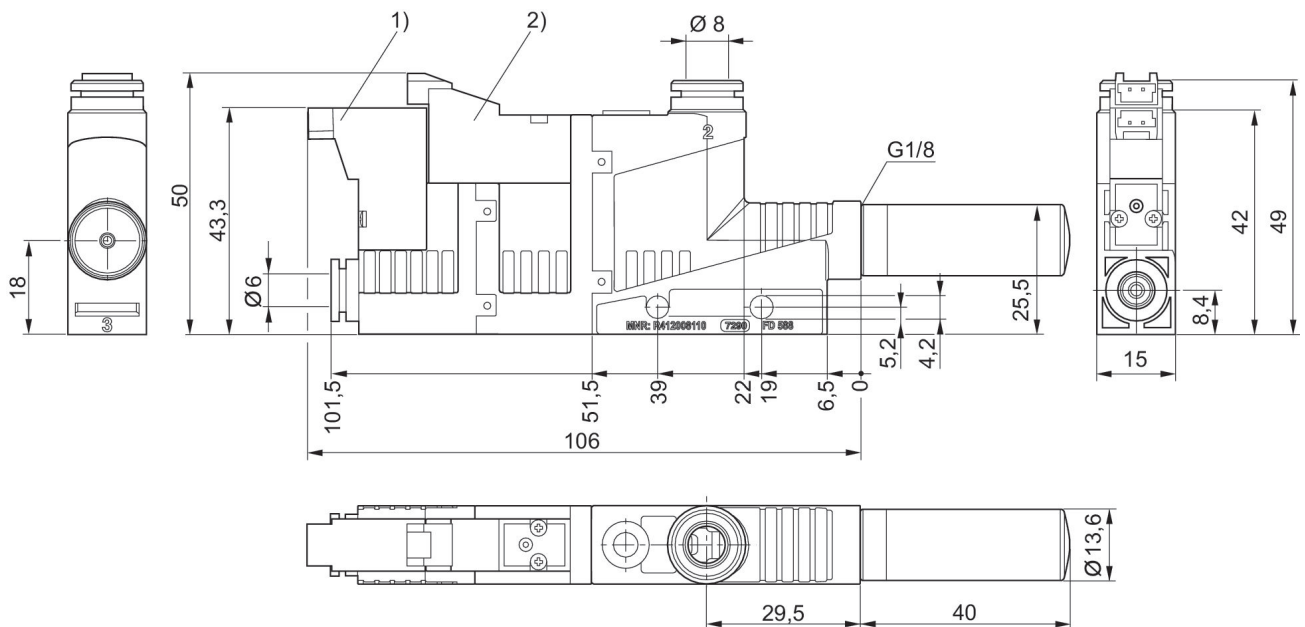
R412007465

Fig. 1



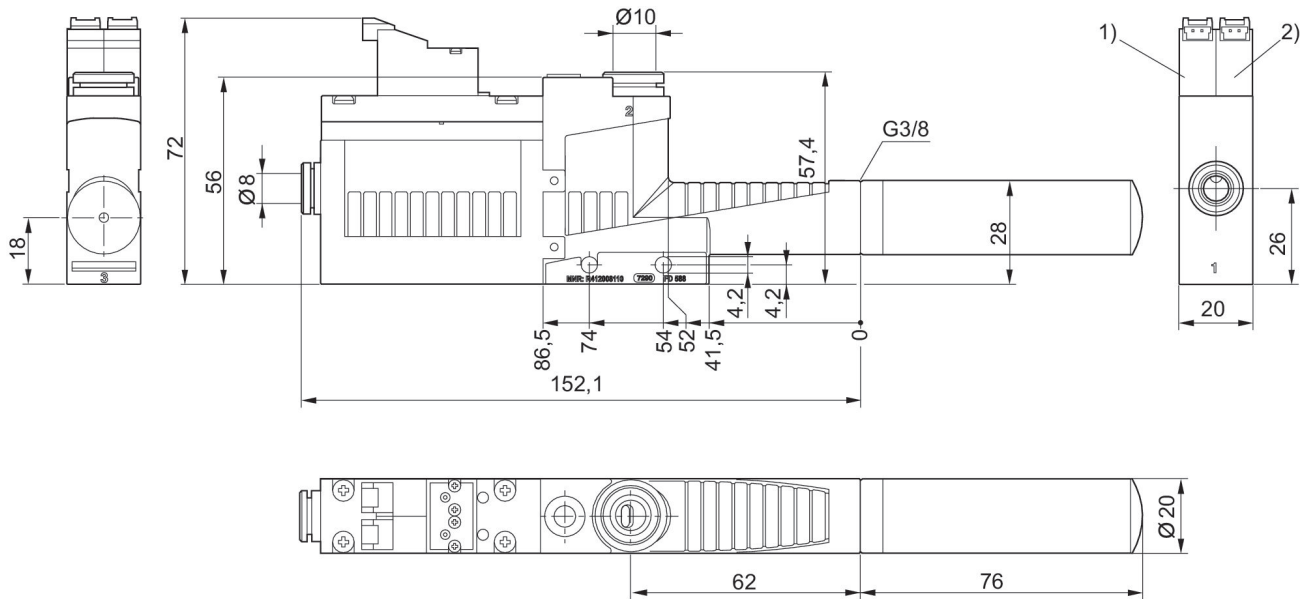
- 1) Solenoid valve for vacuum ON/OFF
- 2) Release valve from memory

Fig. 2



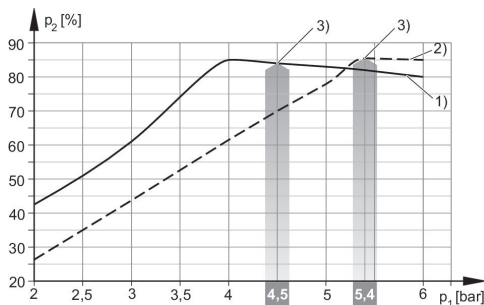
- 1) Solenoid valve for vacuum ON/OFF
- 2) Solenoid valve for release pulse

Fig. 3

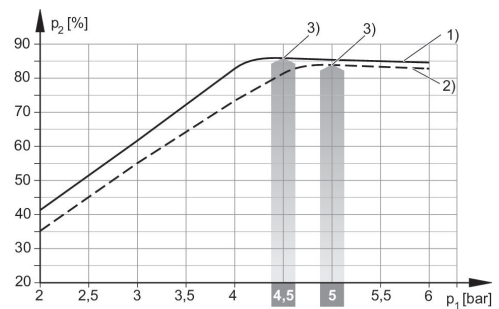


- 1) Solenoid valve for vacuum ON/OFF
- 2) Solenoid valve for release pulse

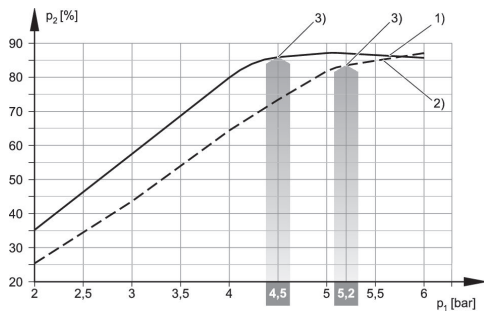
Vacuum p_2 depending on working pressure p_1



- 1) = \varnothing nozzle 0.5 mm 2) = \varnothing nozzle 0.7 mm
- 3) optimum working pressure

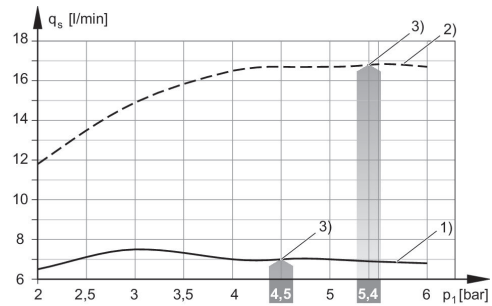


- 1) = \varnothing nozzle 1.0 mm 2) = \varnothing nozzle 1.5 mm
- 3) optimum working pressure

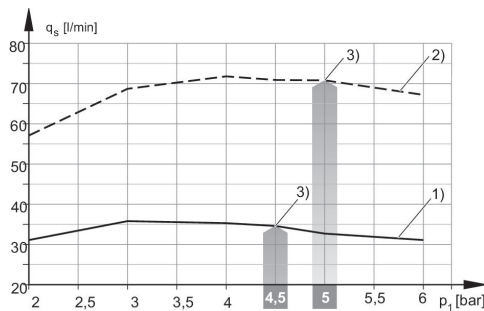


1) = Ø nozzle 2.0 mm 2) = Ø nozzle 2.5 mm
3) optimum working pressure

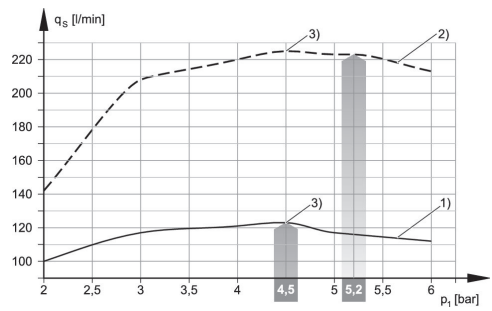
Suction capacity q_s depending on working pressure p_1



1) = Ø nozzle 0.5 mm 2) = Ø nozzle 0.7 mm
3) optimum working pressure

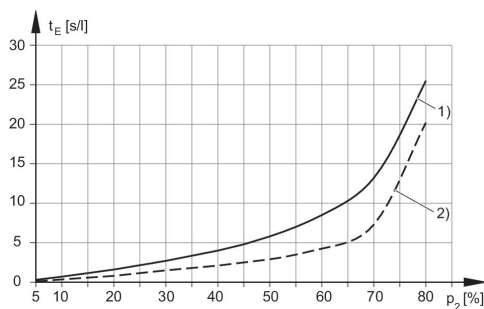


1) = Ø nozzle 1.0 mm 2) = Ø nozzle 1.5 mm
3) optimum working pressure

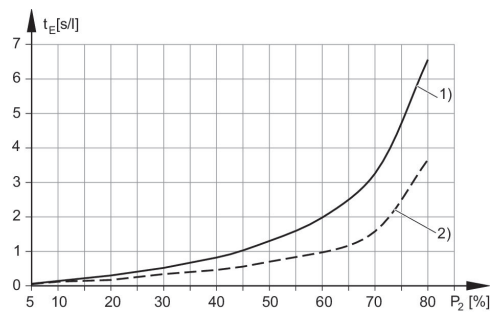


1) = Ø nozzle 2.0 mm 2) = Ø nozzle 2.5 mm
3) optimum working pressure

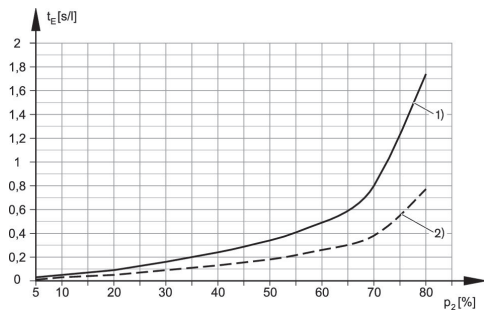
Evacuation time t_E depending on vacuum p_2 for 1 l volume (with optimal operating pressure p_{1opt})



1) = Ø nozzle 0.5 mm 2) = Ø nozzle 0.7 mm

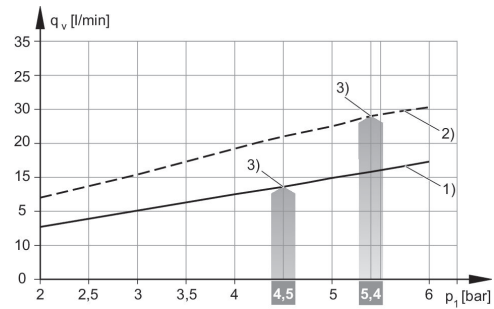


1) = Ø nozzle 1.0 mm 2) = Ø nozzle 1.5 mm

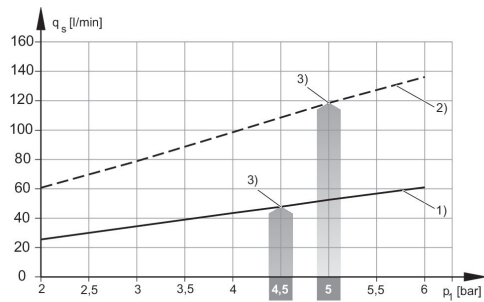


1) = \varnothing nozzle 2.0 mm 2) = \varnothing nozzle 2.5 mm

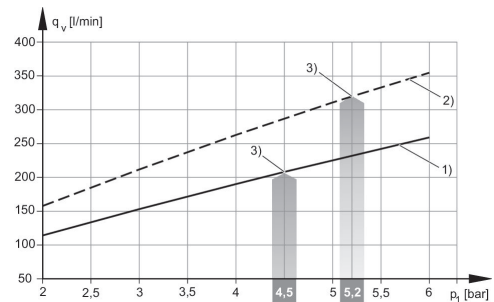
Air consumption q_v depending on working pressure p_1



1) = \varnothing nozzle 0.5 mm 2) = \varnothing nozzle 0.7 mm
3) optimum working pressure



1) = \varnothing nozzle 1.0 mm 2) = \varnothing nozzle 1.5 mm
3) optimum working pressure



1) = \varnothing nozzle 2.0 mm 2) = \varnothing nozzle 2.5 mm
3) optimum working pressure