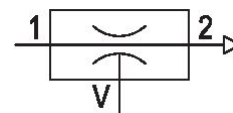


AVENTICS Series EBS Ejectors

The AVENTICS Series EBS ejectors are the convincing and talented multi-taskers within the AVENTICS ejector Series. Parallel to the main advantages of this ejector Series, these ejectors offer additional benefits due to their enormous versatility.



Technical data

Industry	Industrial
Activation	Pneumatically
Note	Thread connection
Type	Ejector
Version	pneumatic control, T-design
with silencer	with silencer
Nozzle Ø	0.5 mm
Min. working pressure	3 bar
Max. working pressure	6 bar
Min. ambient temperature	0 °C
Max. ambient temperature	60 °C
Min. medium temperature	0 °C
Max. medium temperature	60 °C
Medium	Compressed air
Min. oil content of compressed air	0 mg/m ³
Max. oil content of compressed air	1 mg/m ³
Max. particle size	5 µm
Compressed air connection	M5
Vacuum connection+	M5

Ejector, Series EBS

2024-02-20

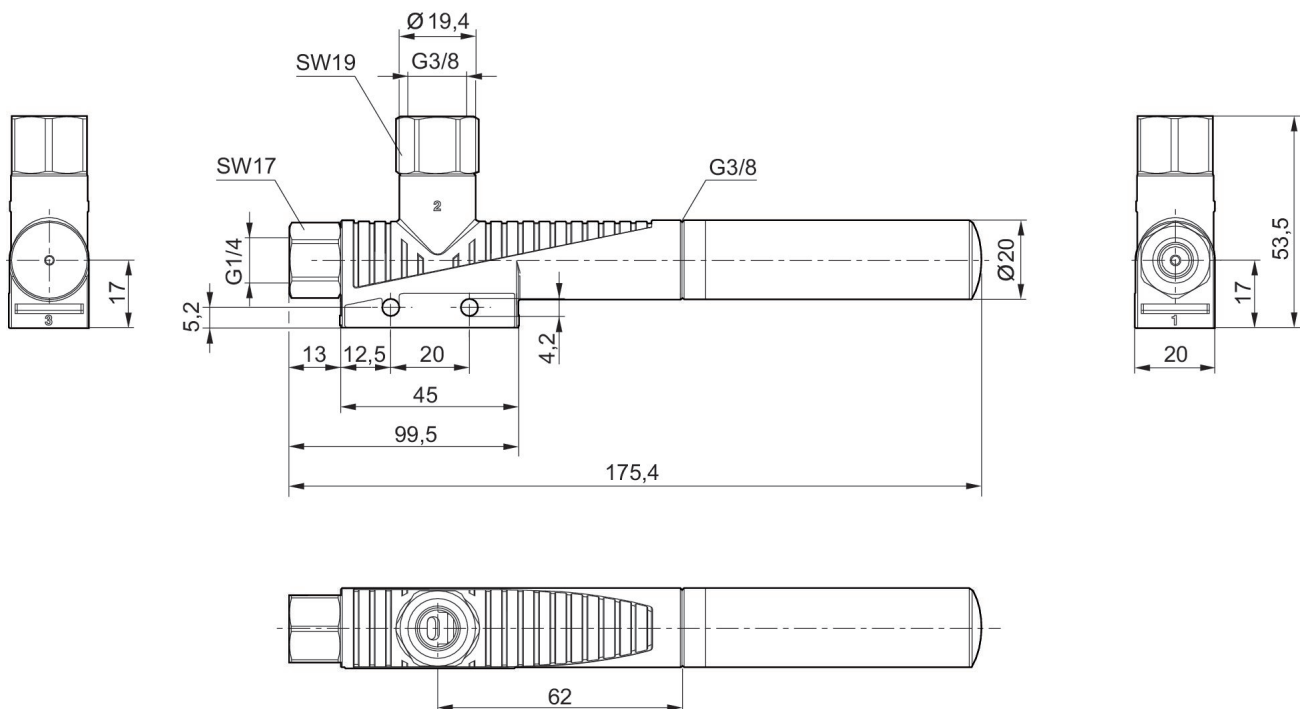
R412007473

Max. suction capacity	7 l/min
Air consumption at p.opt.	14 l/min
Max. vacuum level at p.opt.	84 %
Sound pressure level intake effect	53 dB
Sound pressure level intake effect	58 dB
Weight	0.008 kg
Housing material	Polyamide fiber-glass reinforced
Seal material	Acrylonitrile butadiene rubber
Nozzle material	Aluminum
Material threaded bushing	Aluminum
Surface threaded bushing	anodized
Silencer material	Polyethylene
Part No.	R412007473

Technical information

Note: All data refers to an ambient pressure of $[[1,013]$ bar] and an ambient temperature of $[[20]^{\circ}\text{C}]$.
The pressure dew point must be at least 15°C less than ambient and medium temperature and may not exceed 3°C .

Fig. 3

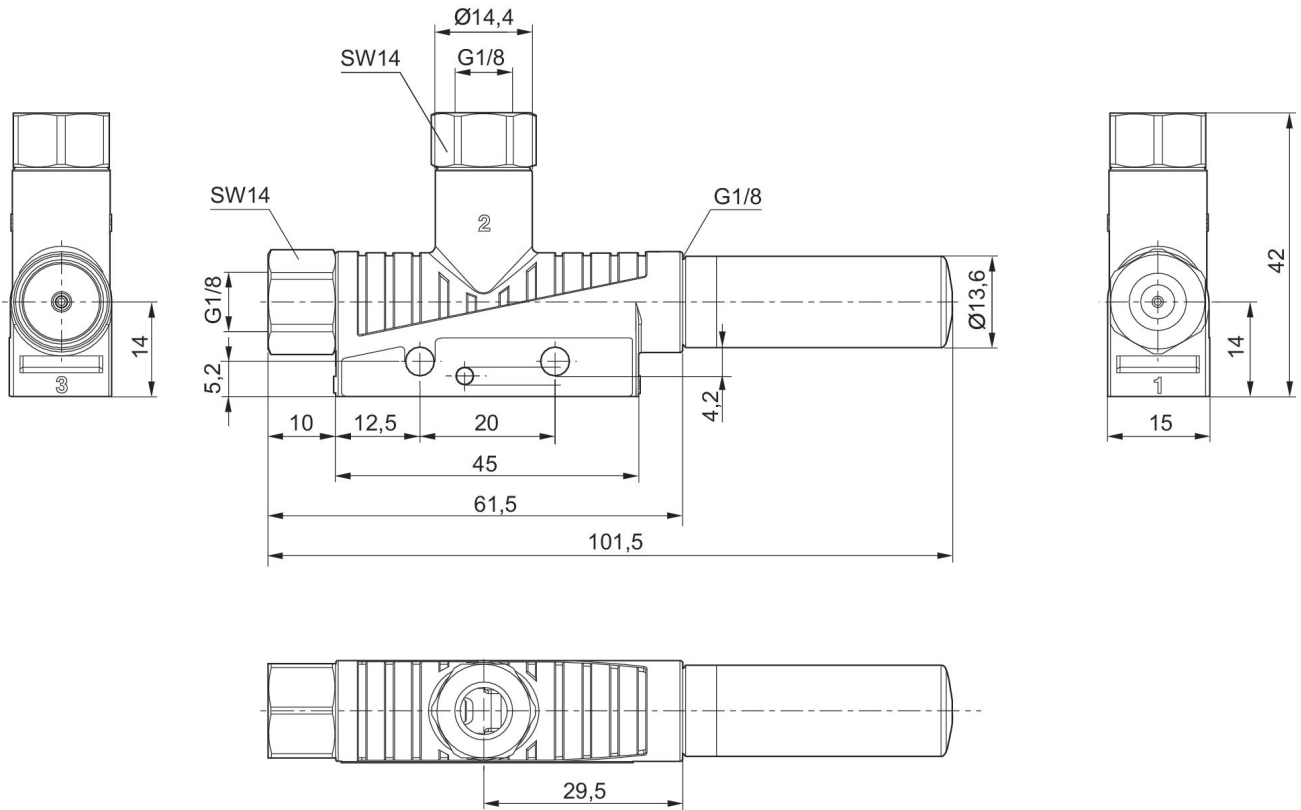


Ejector, Series EBS

2024-02-20

R412007473

Fig. 2

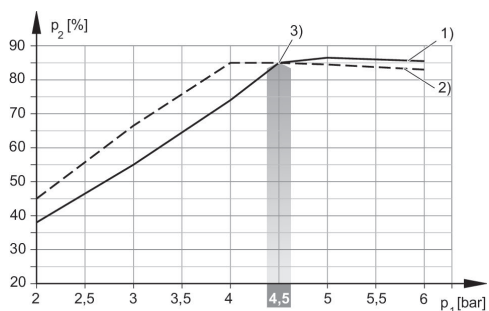
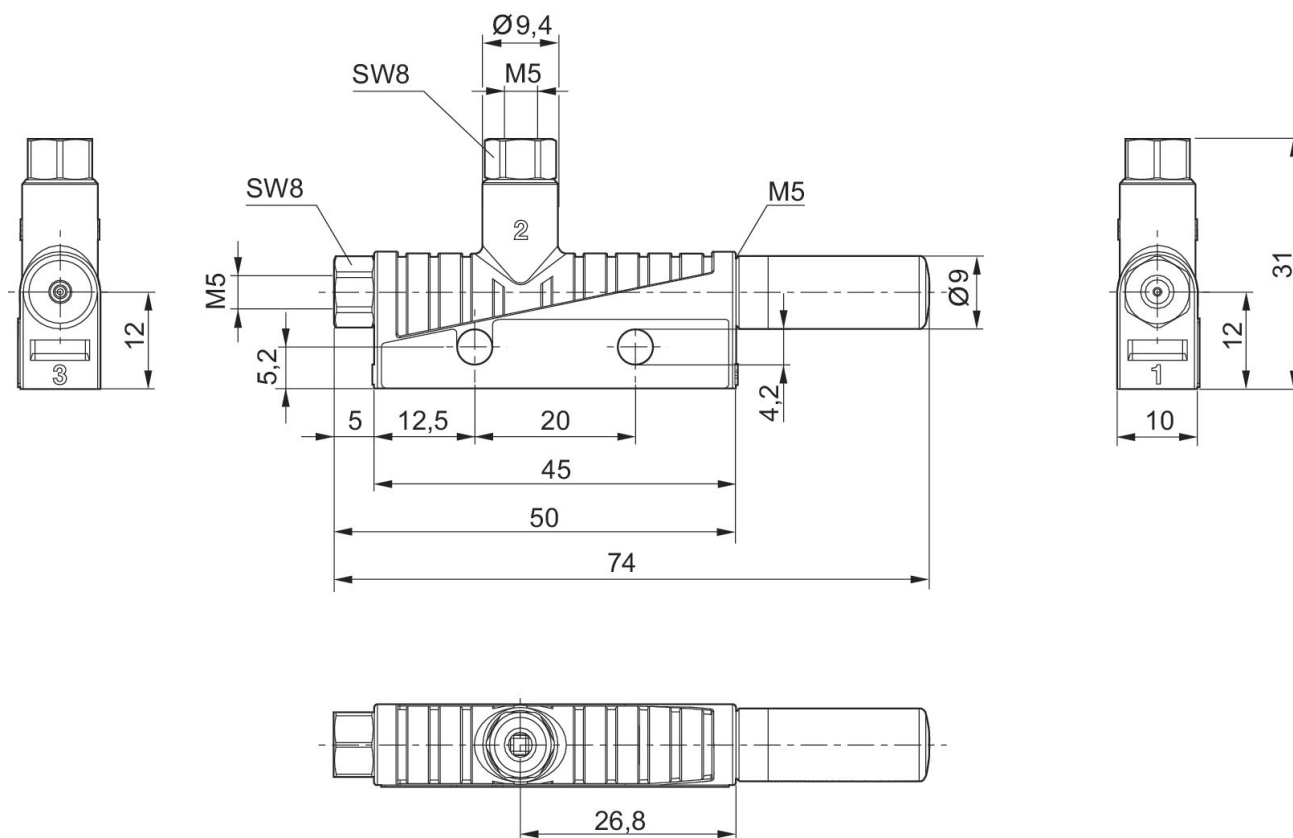


Ejector, Series EBS

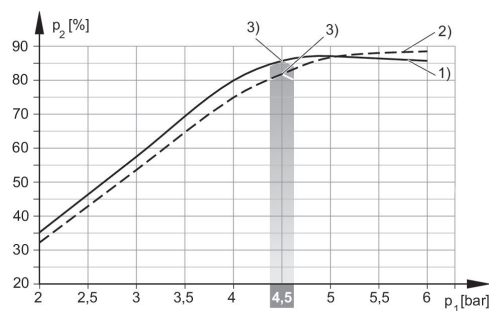
2024-02-20

R412007473

Fig. 1



1) = Ø nozzle 1.0 mm 2) = Ø nozzle 1.5 mm
3) optimum working pressure

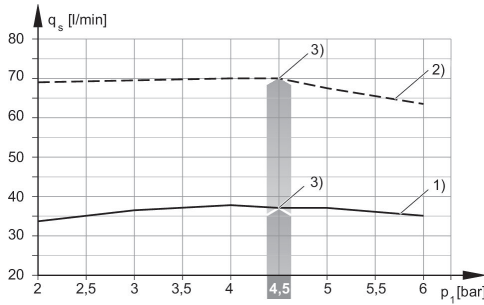


1) = Ø nozzle 2.0 mm 2) = Ø nozzle 2.5 mm
3) optimum working pressure

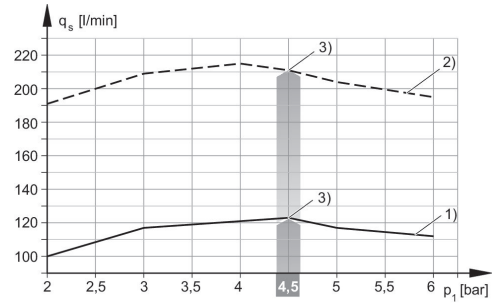
Ejector, Series EBS

2024-02-20

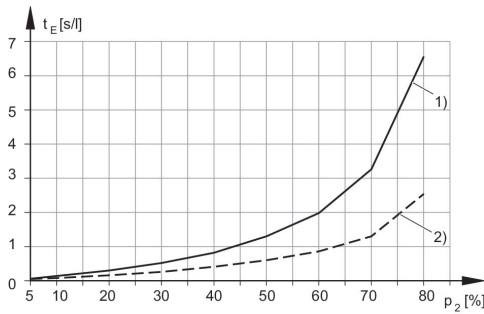
R412007473



1) = Ø nozzle 1.0 mm 2) = Ø nozzle 1.5 mm
3) optimum working pressure

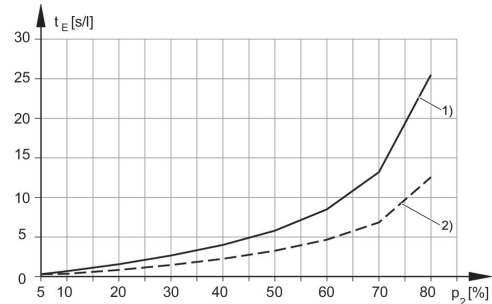


1) = Ø nozzle 2.0 mm 2) = Ø nozzle 2.5 mm
3) optimum working pressure

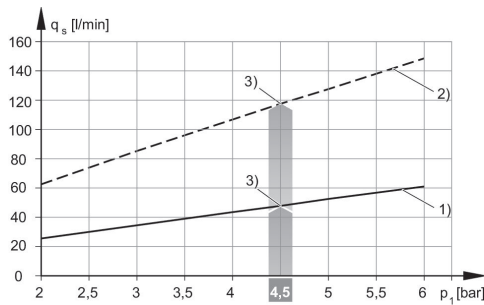


1) = Ø nozzle 1.0 mm 2) = Ø nozzle 1.5 mm

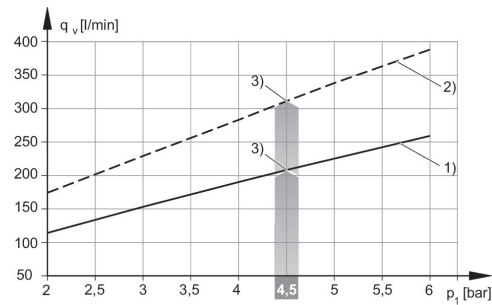
Evacuation time t_E depending on vacuum p_2 for 1 l volume (with optimal operating pressure p_{1opt})



1) = Ø nozzle 0.5 mm 2) = Ø nozzle 0.7 mm

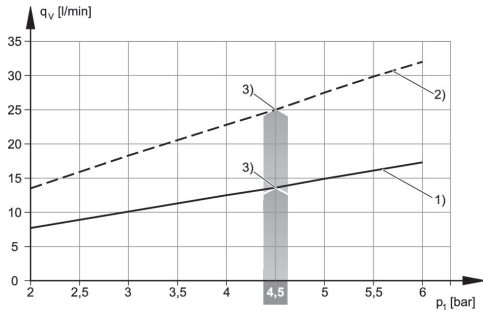


1) = Ø nozzle 1.0 mm 2) = Ø nozzle 1.5 mm
3) optimum working pressure

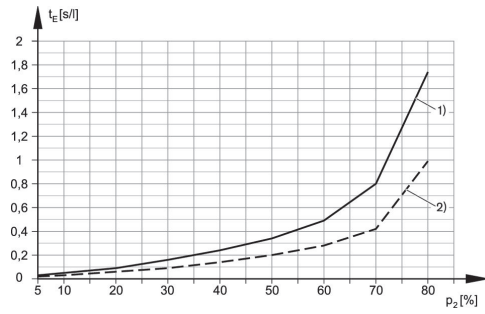


1) = Ø nozzle 2.0 mm 2) = Ø nozzle 2.5 mm
3) optimum working pressure

Air consumption q_v depending on working pressure p_1

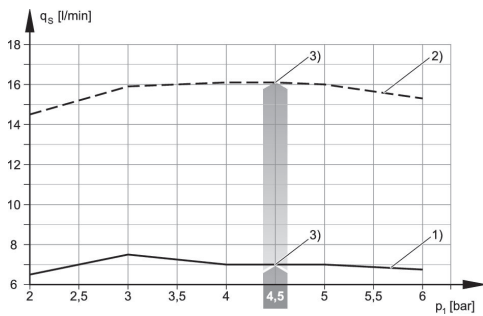


1) = \varnothing nozzle 0.5 mm 2) = \varnothing nozzle 0.7 mm
3) optimum working pressure



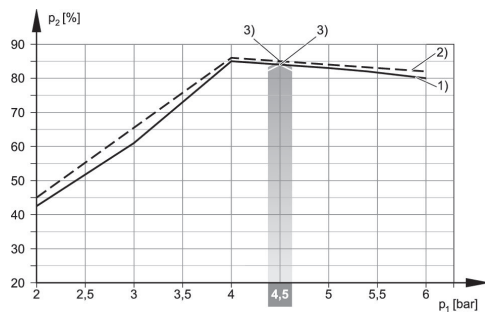
1) = \varnothing nozzle 2.0 mm 2) = \varnothing nozzle 2.5 mm

Suction capacity q_s depending on working pressure p_1



1) = \varnothing nozzle 0.5 mm 2) = \varnothing nozzle 0.7 mm
3) optimum working pressure

Vacuum p_2 depending on working pressure p_1



1) = \varnothing nozzle 0.5 mm 2) = \varnothing nozzle 0.7 mm
3) optimum working pressure