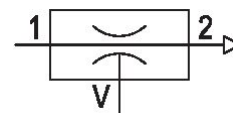


## AVENTICS Series EBS Ejectors

The AVENTICS Series EBS ejectors are the convincing and talented multi-taskers within the AVENTICS ejector Series. Parallel to the main advantages of this ejector Series, these ejectors offer additional benefits due to their enormous versatility.



## Technical data

Industry	Industrial
Activation	Pneumatically
Note	push-in fitting
Type	Ejector
Version	pneumatic control, T-design
with silencer	with silencer
Nozzle Ø	2.5 mm
Min. working pressure	3 bar
Max. working pressure	6 bar
Min. ambient temperature	0 °C
Max. ambient temperature	60 °C
Min. medium temperature	0 °C
Max. medium temperature	60 °C
Medium	Compressed air
Min. oil content of compressed air	0 mg/m <sup>3</sup>
Max. oil content of compressed air	1 mg/m <sup>3</sup>
Max. particle size	5 µm
Compressed air connection	Ø 8
Vacuum connection+	Ø 10

# Ejector, Series EBS

2024-02-20

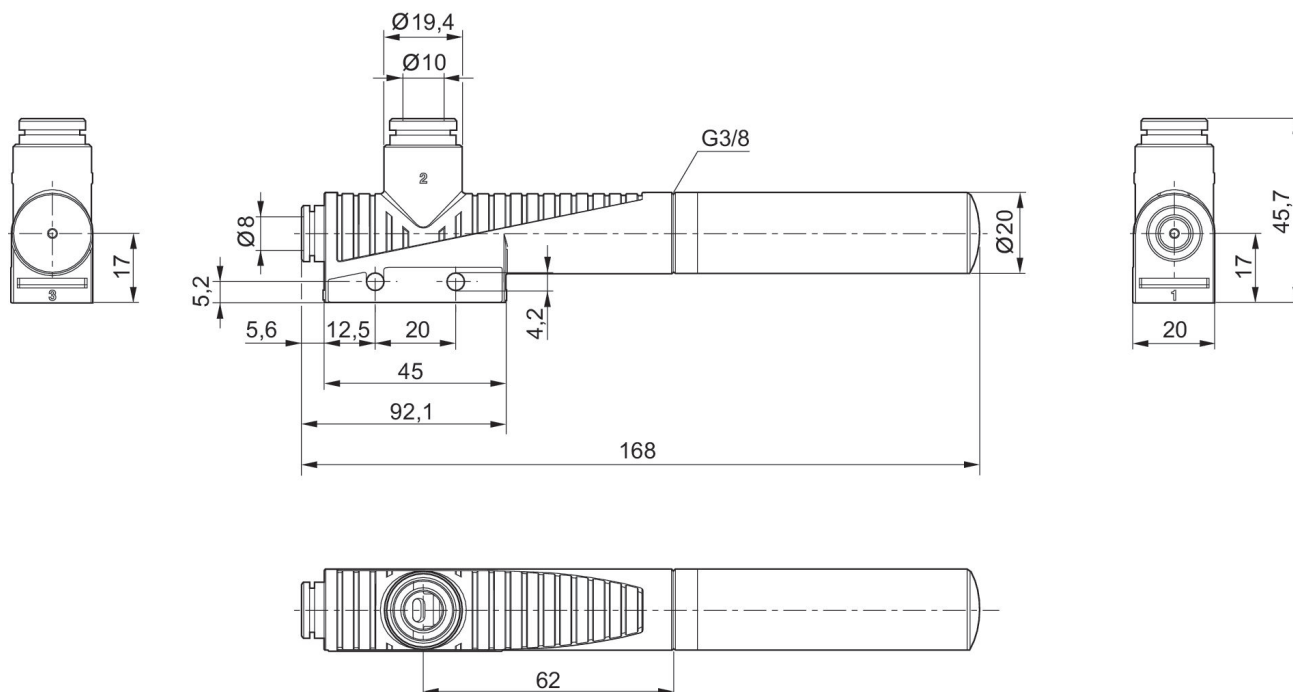
R412007454

Max. suction capacity	215 l/min
Air consumption at p.opt.	311 l/min
Max. vacuum level at p.opt	82 %
Sound pressure level intake effect	75 dB
Sound pressure level intake effect	78 dB
Weight	0.05 kg
Housing material	Polyamide fiber-glass reinforced
Seal material	Acrylonitrile butadiene rubber
Nozzle material	Aluminum
Material release ring	Polyamide
Silencer material	Polyethylene
Part No.	R412007454

## Technical information

Note: All data refers to an ambient pressure of  $[[1,013]$  bar] and an ambient temperature of  $[[20]^{\circ}\text{C}]$ .  
The pressure dew point must be at least  $15^{\circ}\text{C}$  less than ambient and medium temperature and may not exceed  $3^{\circ}\text{C}$ .

Fig. 3

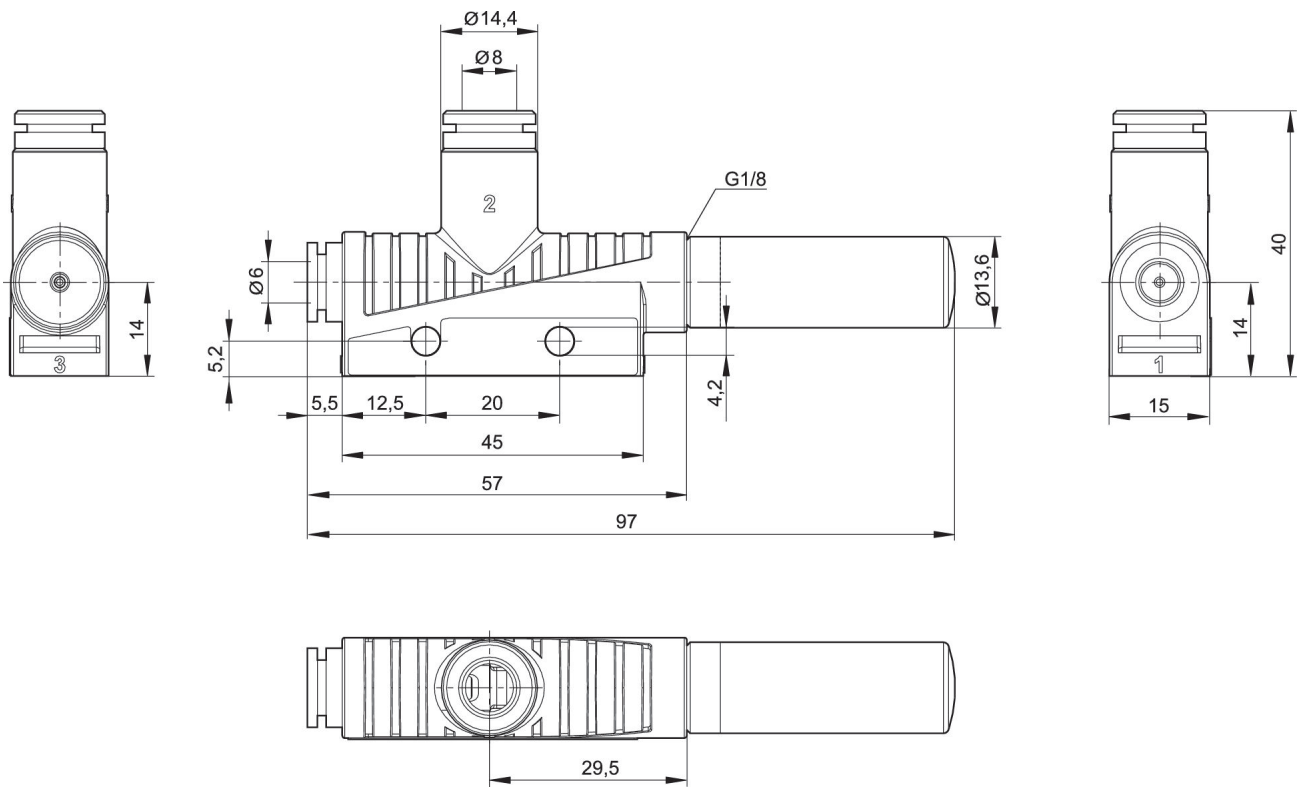


# Ejector, Series EBS

2024-02-20

R412007454

Fig. 2

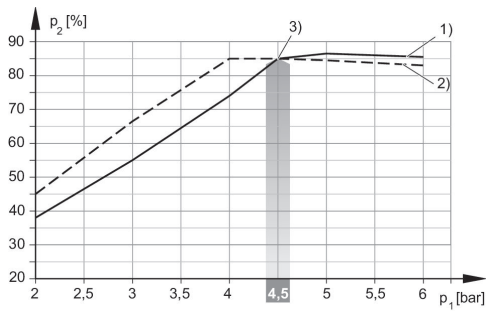
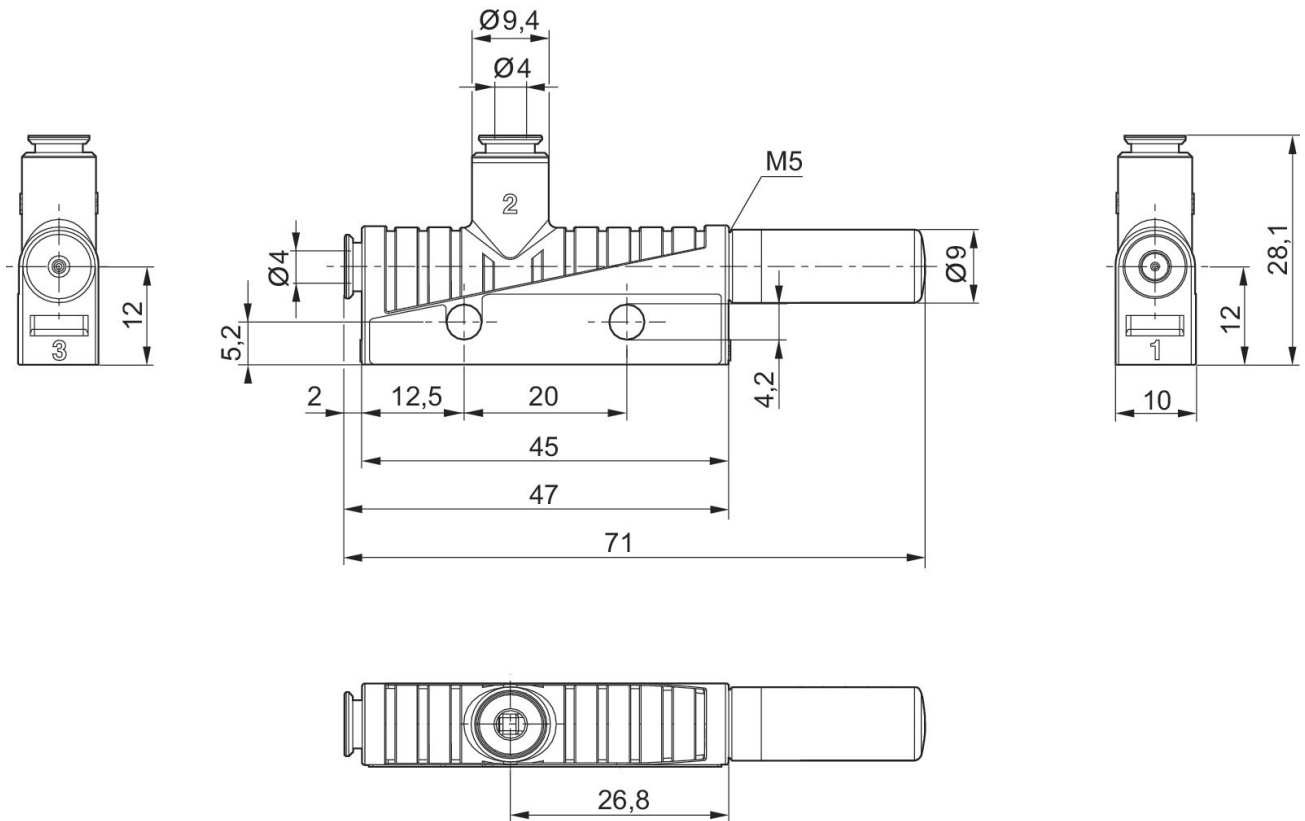


# Ejector, Series EBS

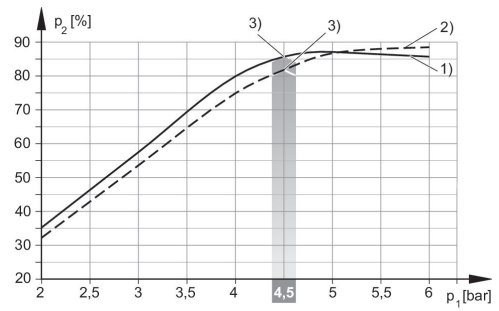
2024-02-20

R412007454

Fig. 1



1) =  $\varnothing$  nozzle 1.0 mm 2) =  $\varnothing$  nozzle 1.5 mm  
3) optimum working pressure

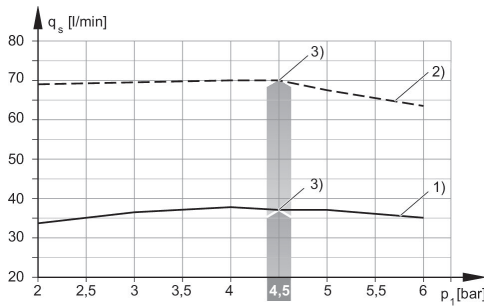


1) =  $\varnothing$  nozzle 2.0 mm 2) =  $\varnothing$  nozzle 2.5 mm  
3) optimum working pressure

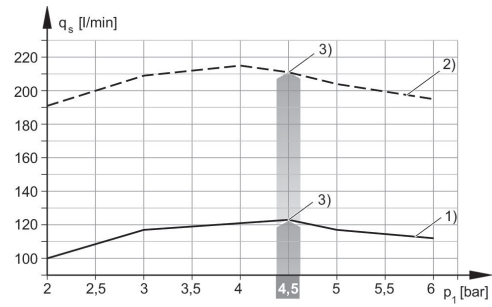
# Ejector, Series EBS

2024-02-20

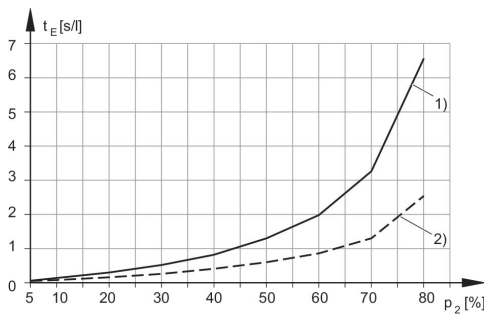
R412007454



1) = Ø nozzle 1.0 mm 2) = Ø nozzle 1.5 mm  
3) optimum working pressure

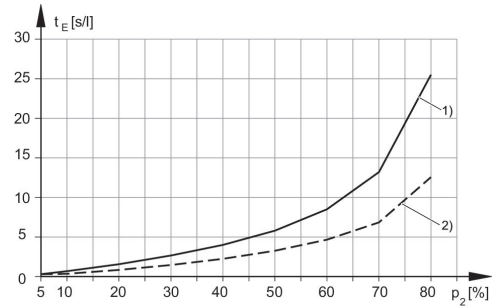


1) = Ø nozzle 2.0 mm 2) = Ø nozzle 2.5 mm  
3) optimum working pressure

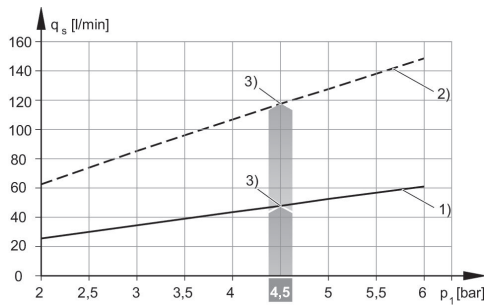


1) = Ø nozzle 1.0 mm 2) = Ø nozzle 1.5 mm

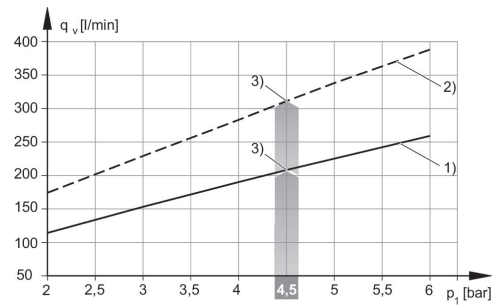
Evacuation time  $t_E$  depending on vacuum  $p_2$  for 1 l volume (with optimal operating pressure  $p_{1opt}$ )



1) = Ø nozzle 0.5 mm 2) = Ø nozzle 0.7 mm

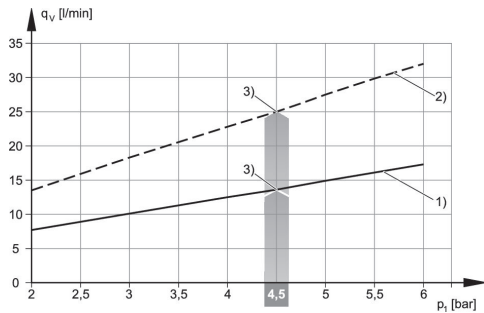


1) = Ø nozzle 1.0 mm 2) = Ø nozzle 1.5 mm  
3) optimum working pressure

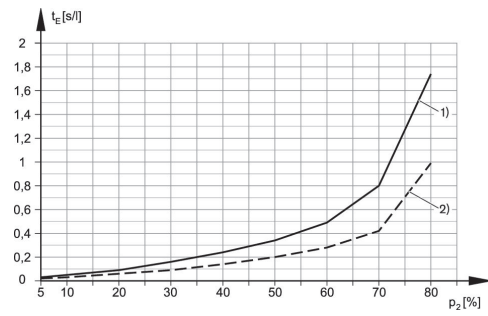


1) = Ø nozzle 2.0 mm 2) = Ø nozzle 2.5 mm  
3) optimum working pressure

## Air consumption $q_v$ depending on working pressure $p_1$

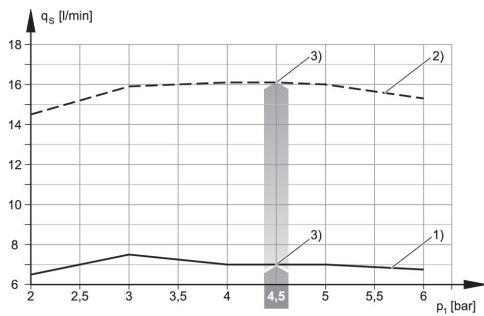


1) =  $\varnothing$  nozzle 0.5 mm 2) =  $\varnothing$  nozzle 0.7 mm  
3) optimum working pressure



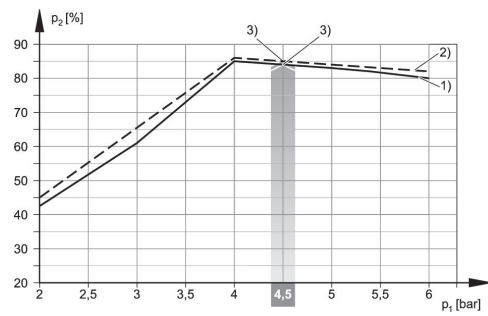
1) =  $\varnothing$  nozzle 2.0 mm 2) =  $\varnothing$  nozzle 2.5 mm

## Suction capacity $q_s$ depending on working pressure $p_1$



1) =  $\varnothing$  nozzle 0.5 mm 2) =  $\varnothing$  nozzle 0.7 mm  
3) optimum working pressure

## Vacuum $p_2$ depending on working pressure $p_1$



1) =  $\varnothing$  nozzle 0.5 mm 2) =  $\varnothing$  nozzle 0.7 mm  
3) optimum working pressure