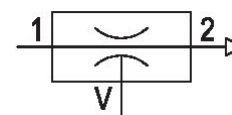


## Serie ECD-LV

The AVENTICS Series ECD is an all-inclusive solution that combines vacuum generators, pilot valves, filters, silencers and pressure switches. Simplify installation and optimize your energy footprint by opting for the air economizer function, and increase your degree of status monitoring with the condition monitoring function.



## Technical data

Industry	Industrial
Activation	Electrically
Note	IO-Link (function)
Switching logic	NC (break contact)
with silencer	with silencer
Nozzle Ø	2.5 mm
vacuum switch	electronic
Accessories	with non-return valve
Min. working pressure	4 bar
Max. working pressure	7 bar
Working pressure p.opt.	5 bar
Min. ambient temperature	0 °C
Max. ambient temperature	50 °C
Min. medium temperature	0 °C
Max. medium temperature	50 °C
Medium	Compressed air
Min. oil content of compressed air	0 mg/m <sup>3</sup>
Max. oil content of compressed air	1 mg/m <sup>3</sup>
Max. particle size	5 µm

---

Max. suction capacity	170 l/min
Air consumption at p.opt.	308 l/min
Max. vacuum level at p.opt	87 %
Sound pressure level intake effect	74 dB
Sound pressure level intake effect	84 dB
Protection against overpressure (max.) with air economizer release valve	5 bar with air economizer release valve
Protection class according to EN 60529:2000, without electrical connector	IP65
Duty cycle according to DIN VDE 0580 standard	100 %
Operational voltage DC	24 V
Hysteresis	adjustable
Repeatability (% of full scale value)	± 1 %
Voltage tolerance DC	- 5 % / +10 %
Switch output current	180 mA
Power consumption solenoid valve	2.5 W
Weight	0.56 kg
Housing material	Polyamide
Seal material	Acrylonitrile butadiene rubber
Nozzle material	Aluminum
Silencer material	Polyethylene
Part No.	R412026118

## Technical information

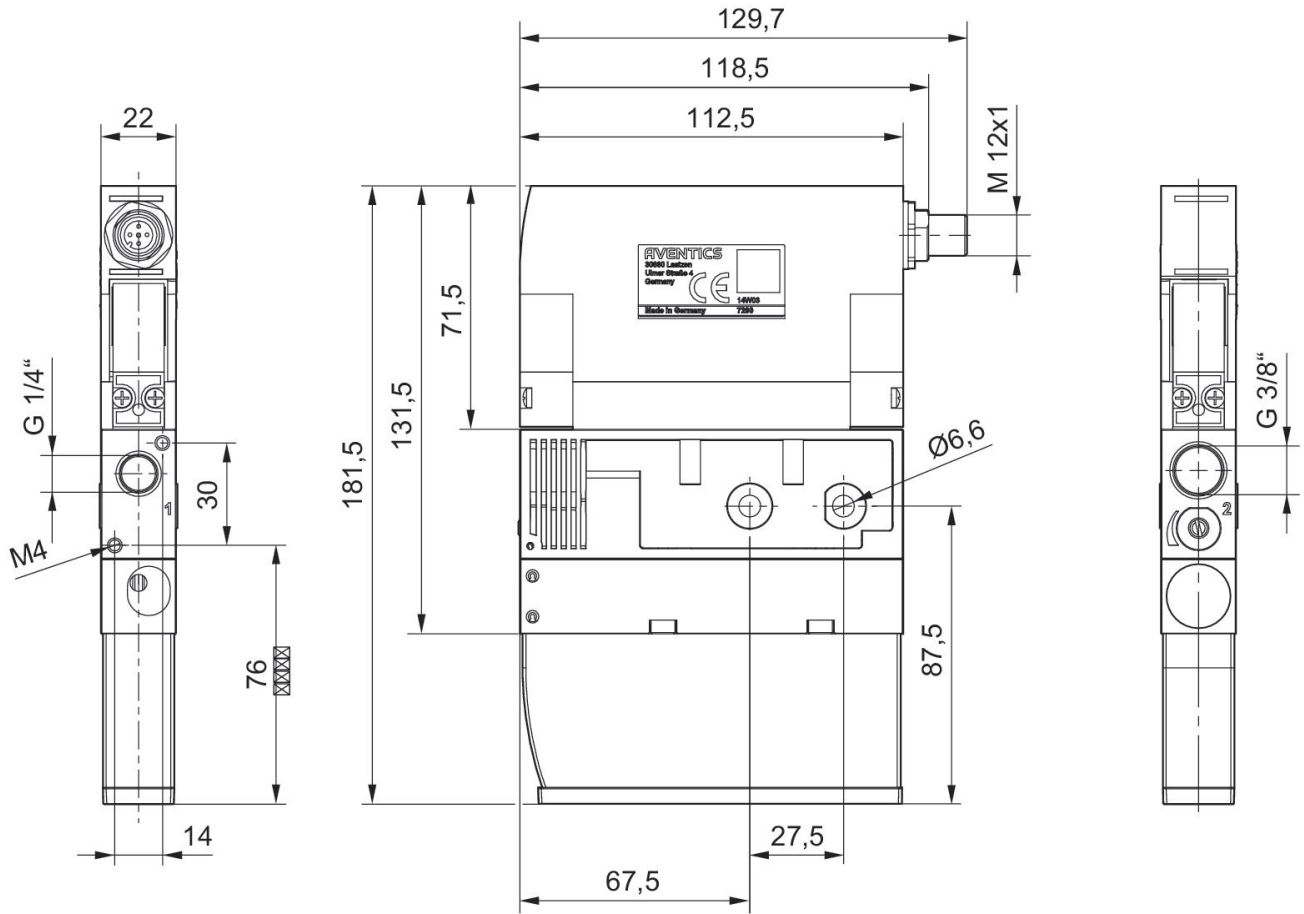
Note: All data refers to an ambient pressure of  $[[1,013]$  bar] and an ambient temperature of  $[[20]^{\circ}\text{C}]$ .

The pressure dew point must be at least 15 °C less than ambient and medium temperature and may not exceed 3 °C.

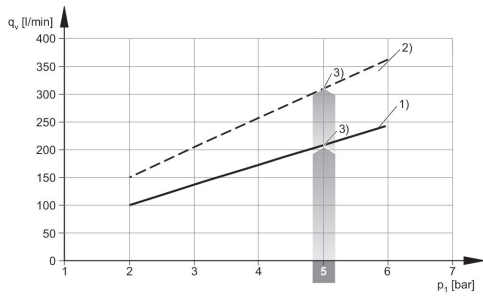
The oil content of compressed air must remain constant during the life cycle.

The IO-Link device description (IODD) for the ECD compact ejector is available for download in the Media Center.

## Dimensions

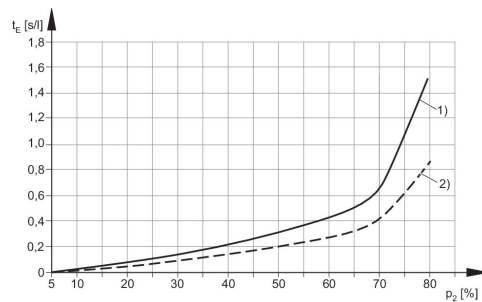


Air consumption  $q_v$  depending on working pressure  $p_1$



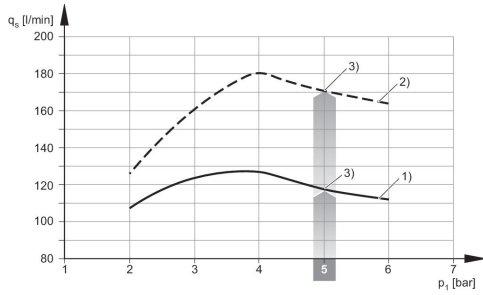
- 1) Ø nozzle [[2.0] mm]
- 2) Ø nozzle [[2.5] mm]

Evacuation time  $t_E$  depending on vacuum  $p_2$  for 1 l volume (with optimal operating pressure  $p_{1opt}$ )



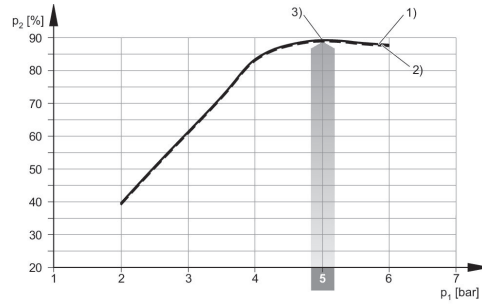
- 1) Ø nozzle [[2.0] mm]
- 2) Ø nozzle [[2.5] mm]

## Suction capacity $q_s$ depending on working pressure $p_1$



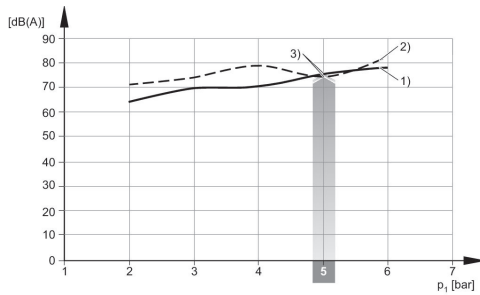
- 1)  $\varnothing$  nozzle [[2.0] mm]
- 2)  $\varnothing$  nozzle [[2.5] mm]
- 3) optimum working pressure

## Vacuum $p_2$ depending on working pressure $p_1$



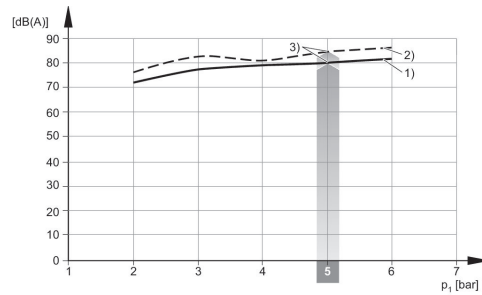
- 1)  $\varnothing$  nozzle [[2.0] mm]
- 2)  $\varnothing$  nozzle [[2.5] mm]
- 3) optimum working pressure

## Noise level, suctioned



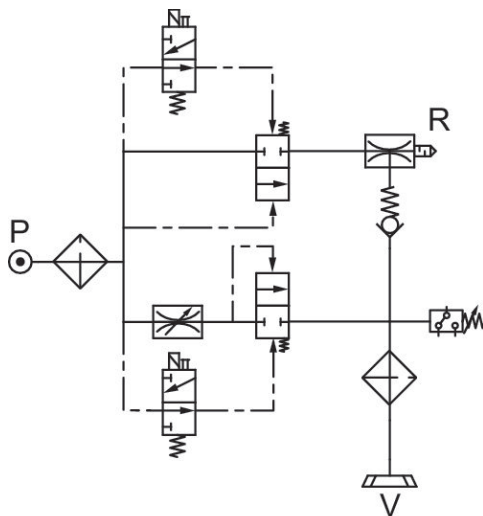
- 1)  $\varnothing$  nozzle [[2.0] mm]
- 2)  $\varnothing$  nozzle [[2.5] mm]
- 3) optimum working pressure

## Noise level at free suctioning



- 1)  $\varnothing$  nozzle [[2.0] mm]
- 2)  $\varnothing$  nozzle [[2.5] mm]
- 3) optimum working pressure

## Circuit diagram ECD-LV-...NC



## Circuit diagram ECD-LV-...NO

