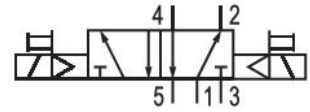


R422103860

AVENTICS Series ES05 Valve systems

The AVENTICS Series ES05 is ideal for standard pneumatic applications. Its simplicity and modularity make it especially well-suited for applications that require quick changes or extensions. Due to its modular system consisting of a limited number of components and the one-tool concept, the ES05 is also easy to assemble in-house.



Technical data

Industry	Industrial
Activation	Electrically
Switching principle	5/2, double solenoid
Actuating control	Double Solenoid
Manual override	without detent

Compressed air connection input	Ø 3/8
Compressed air connection output	Ø 3/8
Compressed air connection, exhaust	Ø 3/8

Nominal flow Qn 610 l/min

Min. working pressure	3 bar
Max. working pressure	8 bar

Electrical connection size	M8x1
Electrical connection number of poles	3-pin
Protection class with connection	IP65
Operational voltage	24 V DC
Operational voltage DC	24 V
Voltage tolerance DC	-15% / +10%

Power consumption DC 2 W

Duty cycle	100 %
Switch-on time	<20
Switch-off time	<20

Min. ambient temperature	5 °C
Max. ambient temperature	50 °C
Min. medium temperature	5 °C

5/2-directional valve, Series ES05 -inch

2024-04-02

R422103860

Max. medium temperature	50 °C
Medium	Compressed air
Min. oil content of compressed air	0 mg/m ³
Max. oil content of compressed air	5 mg/m ³
Max. particle size	40 µm

Material

Housing material	Polyamide fiber-glass reinforced
Seal material	Acrylonitrile butadiene rubber
Part No.	R422103860

Technical information

The min. control pressure must be adhered to, since otherwise faulty switching and valve failure may result!

The pressure dew point must be at least 15 °C less than ambient and medium temperature and may not exceed 3 °C.

The oil content of compressed air must remain constant during the life cycle.

Exhaust air throttling may only be used in operating lines

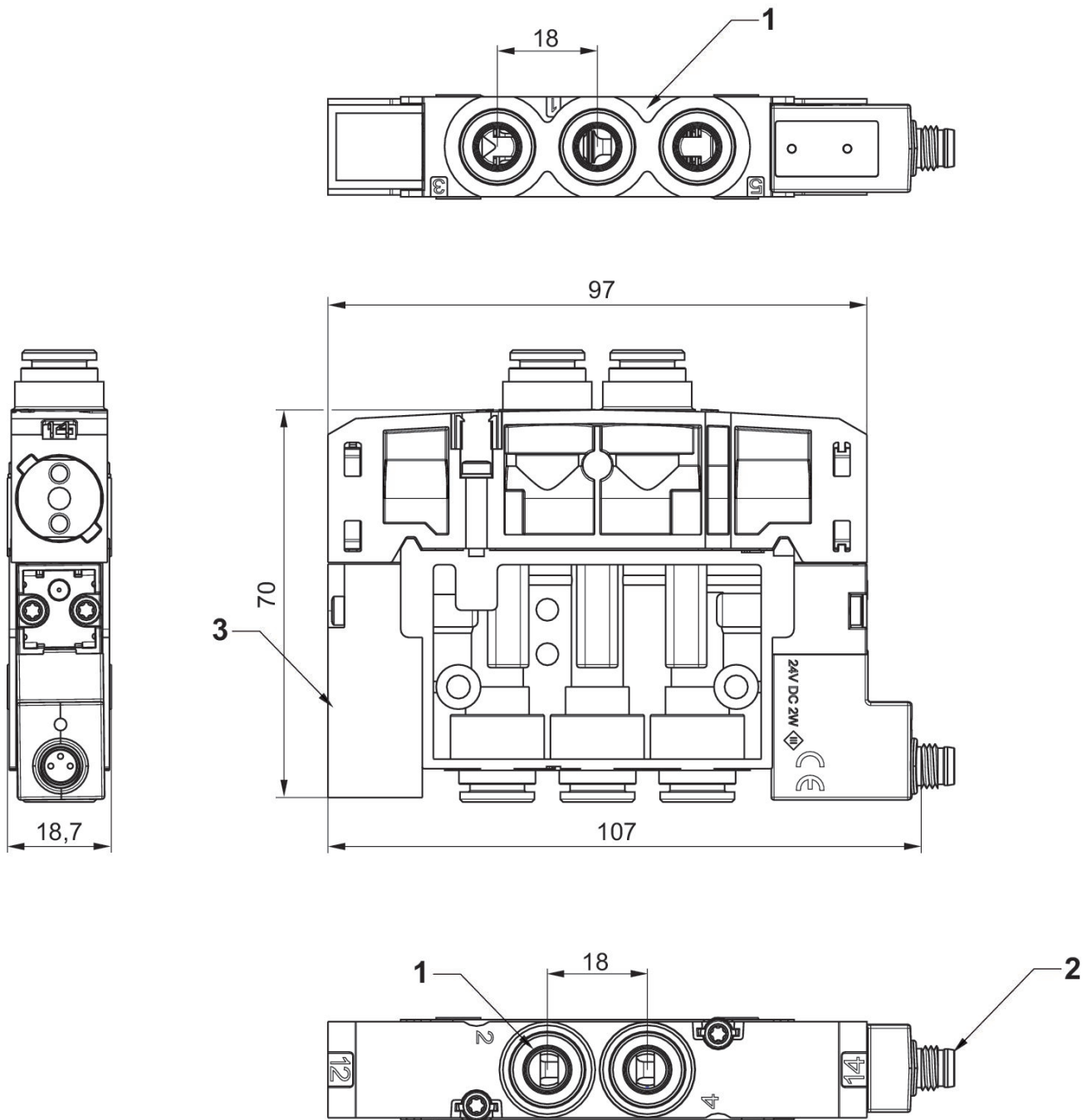
Fig. 1

5/2-directional valve, Series ES05 -inch

2024-04-02

R422103860

Single Solenoid



- 1) Connections [1 ,3 ,5, 2, 4] Ø 3/8
- 2) 2 pilot valves with external electrical connection M8x1
- 3) Pilot blanking plate

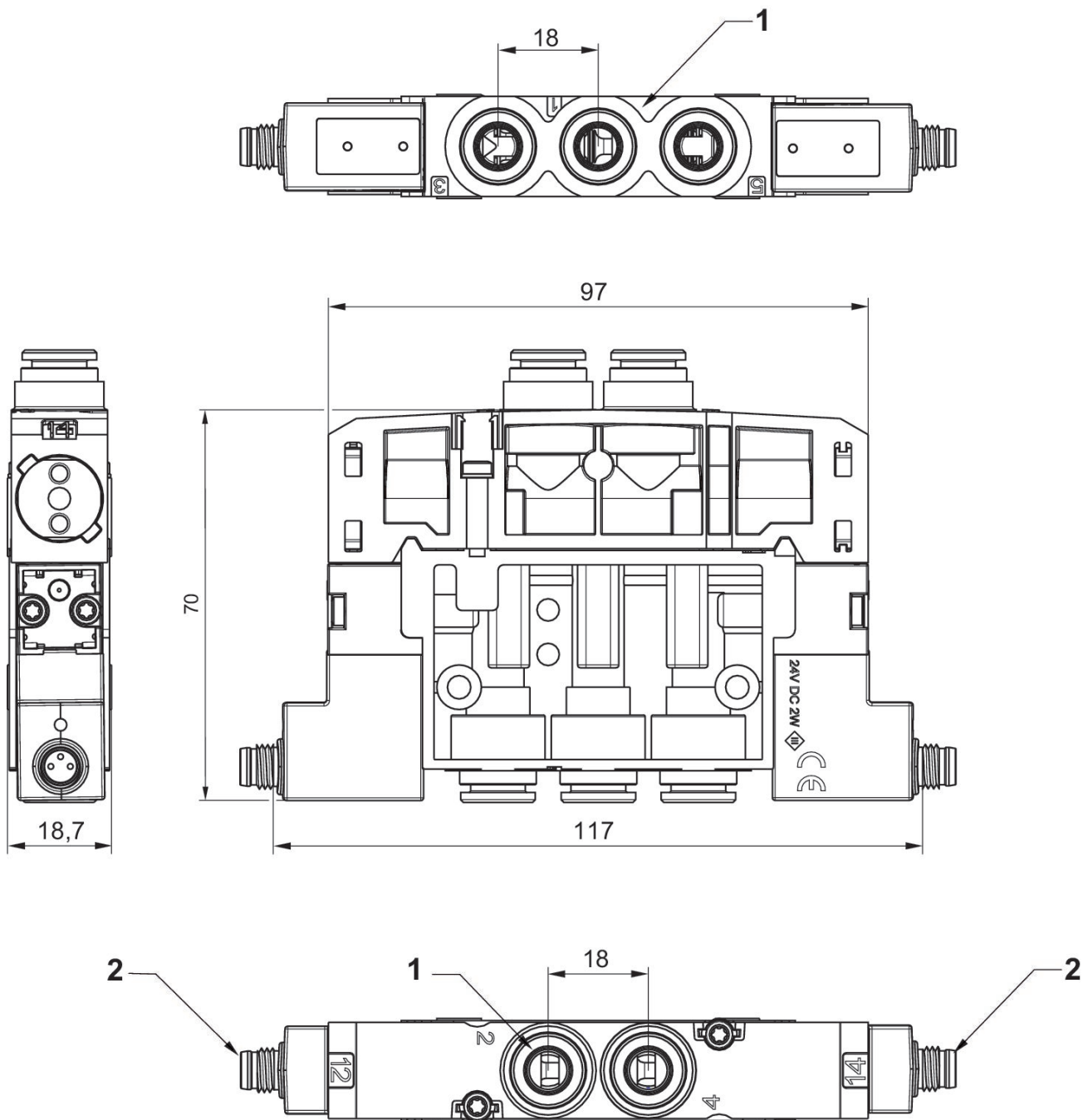
Fig. 2

5/2-directional valve, Series ES05 -inch

2024-04-02

R422103860

Double Solenoid



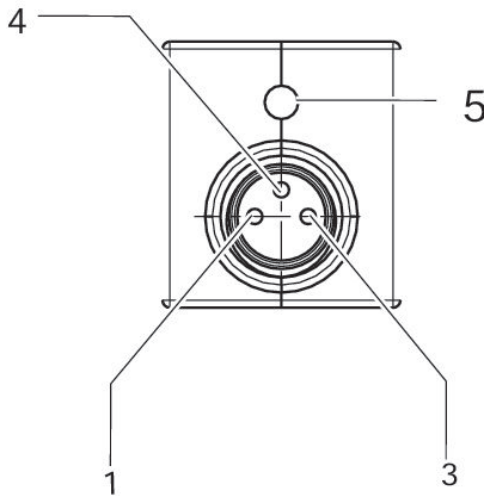
- 1) Connections [1 ,3 ,5, 2, 4] Ø 3/8
- 2) 2 pilot valves with external electrical connection M8x1

5/2-directional valve, Series ES05 -inch

2024-04-02

R422103860

PIN assignment for valve plug connectors



Pin assignment (1) Pin not assigned (3) 0 V (4) 24 V (5) LED Note: Bipolar protective circuit to prevent overvoltage