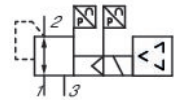


- High flow rate with compact dimensions
- Easy to assemble
- Low weight
- Configuration available
- Different electrical connections available
- Analog or I/O-link control options
- Can be mounted on standard AV03 and AV05 valve manifolds (AVENTICS Series AV-EP)

## AVENTICS EV03 Pilot-Operated Proportional Control Valve

The AVENTICS EV03 pilot-operated proportional control valve is ideal for applications requiring infrequent pressure adjustments. It works according to the indirect control principle with pilot valves. In the event of power loss and thus a failure of the electrical control, mechanical pressure control is maintained by the pressure in the pilot volumes, even if air escapes from the main valve. The EV03 is optimally suited for static conditions with only occasional set point changes. A key feature of the valve is its extremely low energy consumption. It can be mounted on AV03 or AV05 valve manifolds to minimize wiring, plumbing and space requirements.



## Technical data

|                          |   |
|--------------------------|---|
| Type                     | Archive product: Do not use in new constructions! |
| Control                  | Analog  |
| Function                 | Air exhaust                                       |
| Basic valve equipment    | Basic valve without base plate                    |
| Min. regulation range    | 0.5 bar   |
| Max. regulation range    | 10 bar  |
| Min. working pressure    | 0 bar   |
| Max. working pressure    | 11 bar  |
| Hysteresis               | < 0,05 bar  |
| Repetitive precision     | < 0,04 bar  |
| Medium                   | Compressed air                                    |
| Nominal flow Qn          | 550 l/min   |
| Min. ambient temperature | -10 °C  |
| Max. ambient temperature | 60 °C   |
| Min. medium temperature  | -10 °C  |
| Max. medium temperature  | 60 °C   |
| Operational voltage DC   | 24 V  |
| Max. current consumption | 180 mA  |
| Protection class         | IP65  |

# EV03 series proportional pressure regulator

R414009034

Series  
EV03

2024-11-05

---

|                                       |                                   |
|---------------------------------------|-----------------------------------|
| Display                               | LED                               |
| Permissible ripple                    | 5%                                |
| Max. particle size                    | 40 µm                             |
| Min. oil content of compressed air    | 0 mg/m <sup>3</sup>               |
| Max. oil content of compressed air    | 5 mg/m <sup>3</sup>               |
| Type                                  | Poppet valve                      |
| Mounting orientation                  | Any                               |
| Compressed air connection input       | G 1/4                             |
| Compressed air connection output      | G 1/4                             |
| Compressed air connection, exhaust    | G 1/4                             |
| Electrical connection size            | M12                               |
| Electrical connection number of poles | 5-pin                             |
| Electrical connection coding          | A-coded                           |
| Actual output value                   | 0 ... 10 V                        |
| Nominal input value                   | 0 ... 10 V                        |
| Pilot control exhaust                 | With collective pilot air exhaust |
| Industry                              | Industrial                        |
| Weight                                | 0.21 kg                           |

## Material

|                  |                          |
|------------------|--------------------------|
| Housing material | Polyarylamide            |
| Seal material    | Nitrile butadiene rubber |
| Part No.         | R414009034               |

## Technical information

Nominal flow  $Q_n$  with working pressure 7 bar, with secondary pressure 6 bar and  $\Delta p = 0.2$  bar

The min. control pressure must be adhered to, since otherwise faulty switching and valve failure may result!

The pressure dew point must be at least 15 °C less than ambient and medium temperature and may not exceed 3 °C.

The oil content of compressed air must remain constant during the life cycle.

Use only the approved oils from AVENTICS. Further information can be found in the "Technical information" document (available in <https://www.emerson.com/en-us/support>).

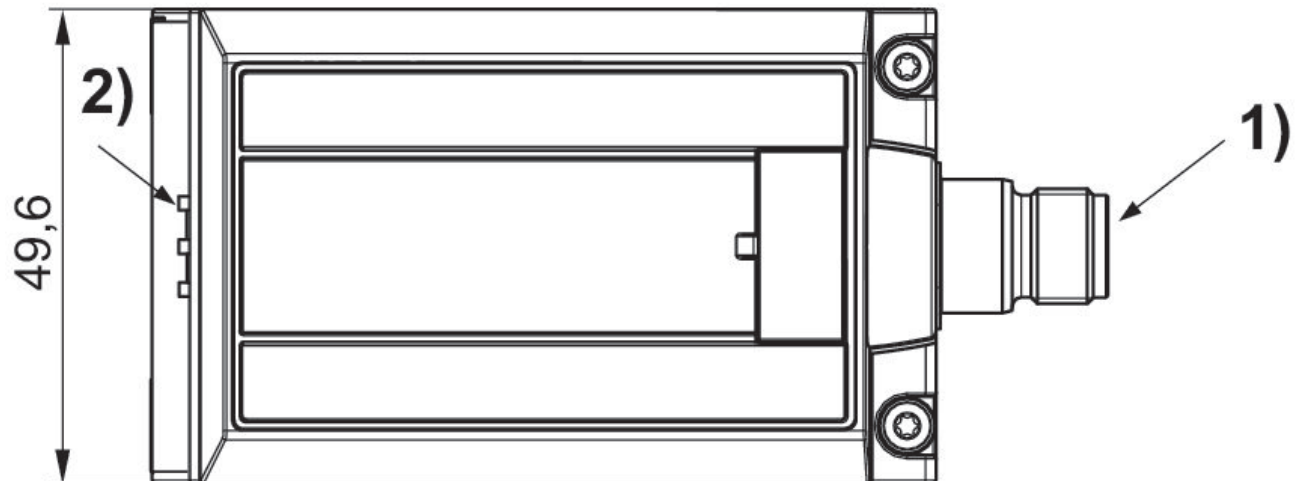
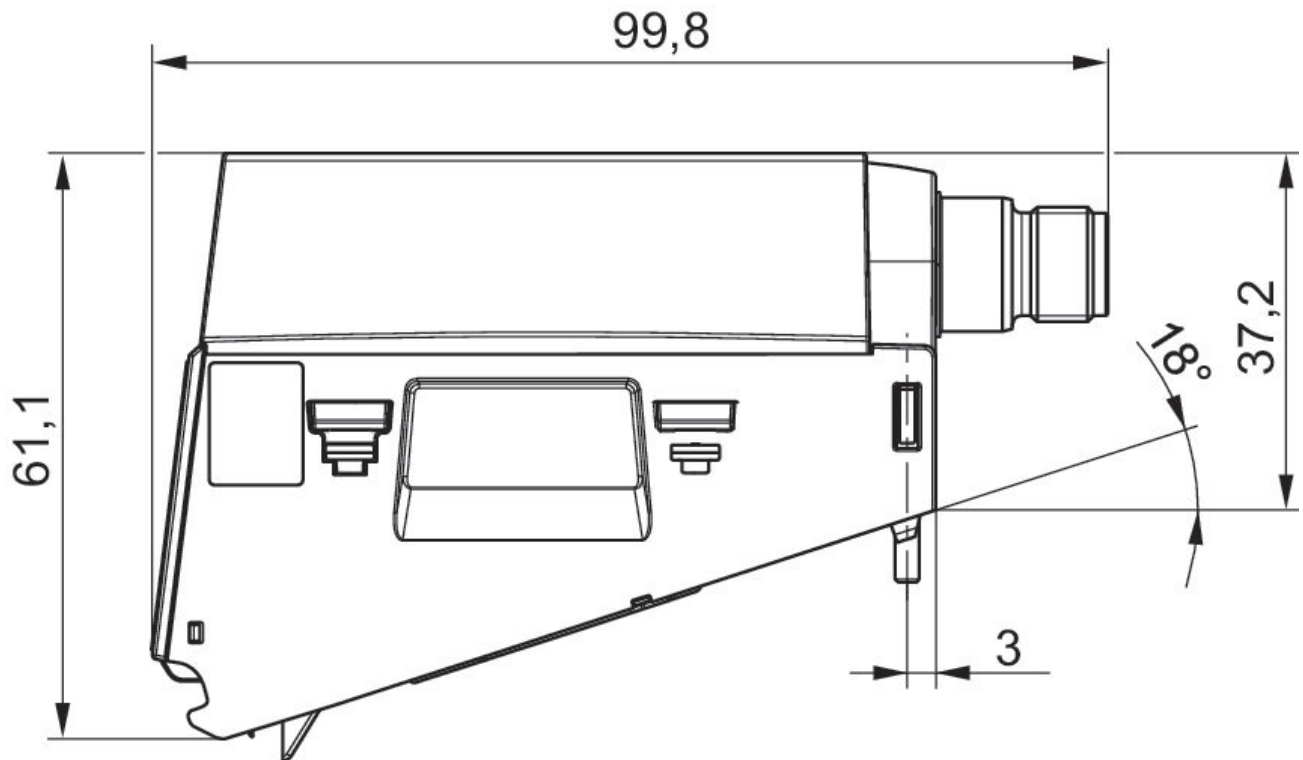
# EV03 series proportional pressure regulator

R414009034

Series  
EV03

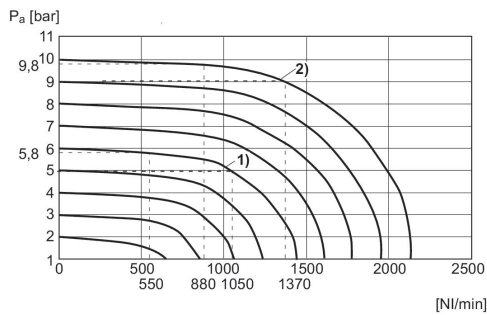
2024-11-05

## Dimensions



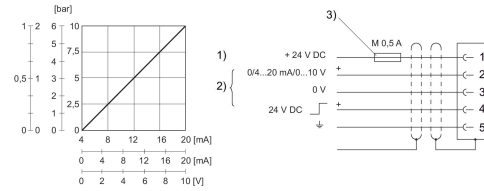
- 1) Port for plug M12x1
- 2) LED status display

## Flow characteristic curve



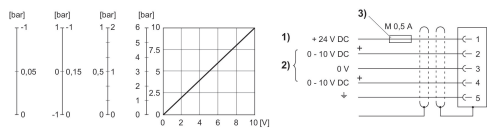
- 1)  $P_v = [[7] \text{ bar}]$
- 2)  $P_v = [[11] \text{ bar}]$
- $P_v = \text{Supply pressure}$
- $P_a = \text{Working pressure}$
- $P_v = P_a + 1$

## Characteristic and pin assignment for current and voltage control with actual output value



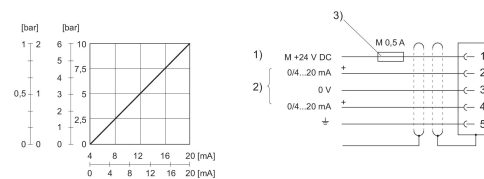
- 1) Operational voltage
- 2) Nominal value (pin 2) and switch output (pin 4) are related to 0 V. Acknowledge signal
- 3) The operating voltage must be protected by an external M 0.5 A fuse.

## Fig. 2 Characteristic and pin assignment for voltage control with actual output value



- 1) Supply voltage 2) Actual value (pin 4) and nominal value (pin 2) are related to 0 V. Min. load resistance of nominal value output = 1 kΩ. 3) The operating voltage must be protected by an external M 0.5 A fuse. Connect the plug via a shielded cable to ensure EMC.

## Characteristic and pin assignment for current control with actual output value



- 1) power supply
- 2) Actual value (pin 4) and nominal value (pin 2) are related to 0 V (pin 3). Nominal input value (ohmic load 100 Ω), actual output value: external ohmic load < 300 Ω. If the power supply is switched off, the nominal input value is high-ohmic.
- 3) The power supply must be protected by an external M 0.5 A fuse. Connect the plug via a shielded cable to ensure EMC.