

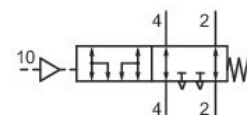
Exhaust module, Stand-Alone

R422003118

Exhaust
module

2024-04-23

AVENTICS Exhaust module



Technical data

Industry	Industrial
Medium	Compressed air
Compressed air connection input	Ø 8
Compressed air connection output	Ø 8
Nominal flow Qn	1080 l/min
Min. working pressure	0 bar
Max. working pressure	10 bar
Min. ambient temperature	-10 °C
Max. ambient temperature	60 °C
Weight	0.08 kg
Housing material	Aluminum
Seal material	Nitrile rubber
Part No.	R422003118

Exhaust module, Stand-Alone

R422003118

Exhaust
module

2024-04-23

Technical information

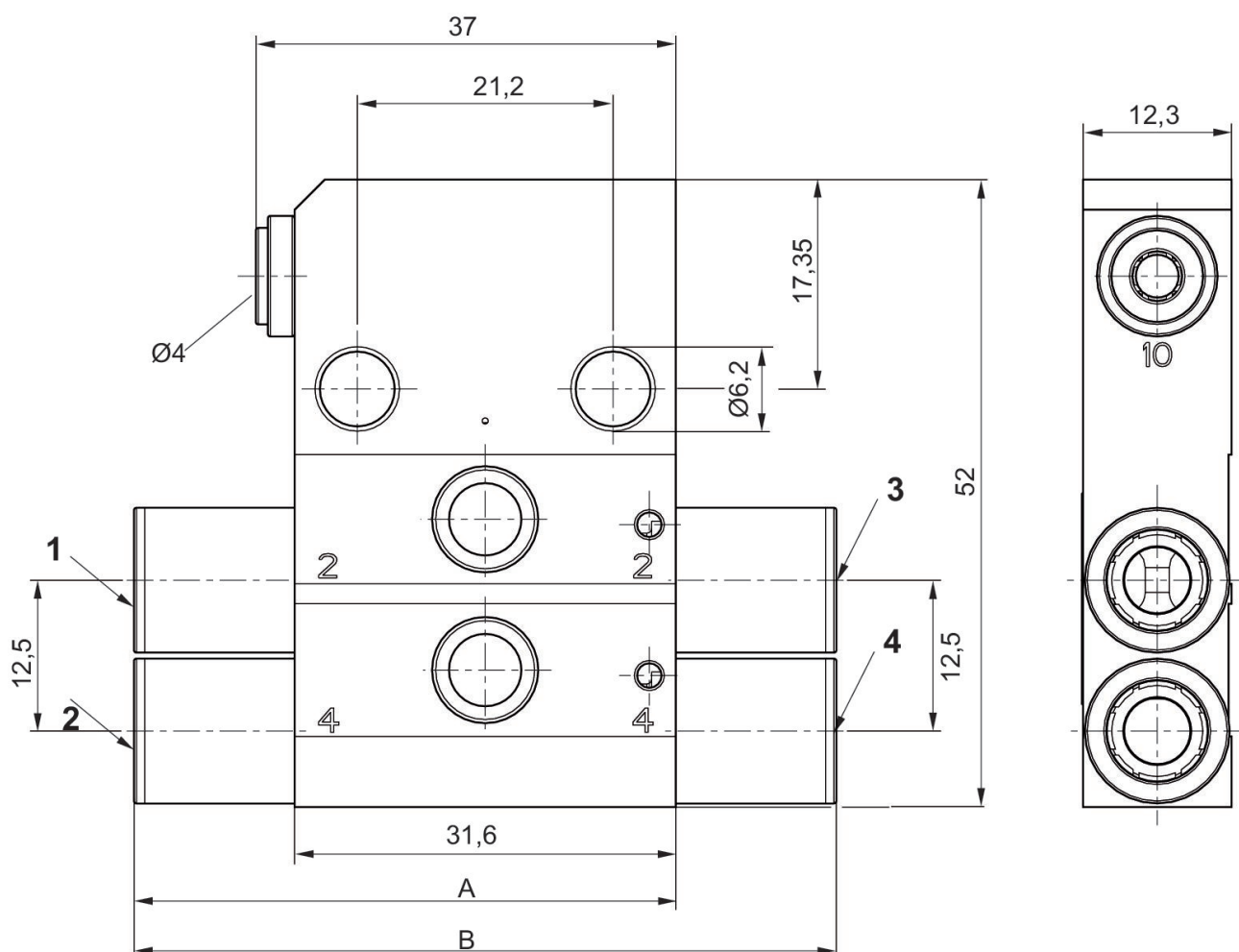
When using polyurethane tubing, we recommend using additional stiffener sleeves.

Particularly suitable for 5/3 CC valves, since the remaining pressure in the actuator can be exhausted when the control pressure is applied.

The exhaust module and the air circuit should be tested monthly to ensure they function correctly.

Applications with vertical actuators with exhaust or pressure throttles and a maximum load of $[[15]]$ kg as well as up to a speed of $V_{max} < [[33]]$ mm/s.

Dimensions



- 1) Connection 2, valve side
- 2) Connection 4, valve side
- 3) Operating line 2
- 4) Operating line 4

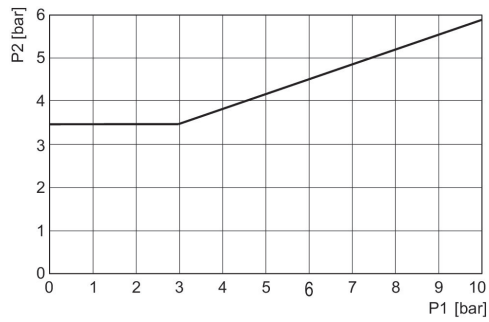
Exhaust module, Stand-Alone

R422003118

Exhaust
module

2024-04-23

Minimum control pressure (depending on operating pressure)



p1 = pressure on connections 2 and 4, p2 = control pressure

	2 (Nl/min ±15%)	4 (Nl/min ±15%)	A	B
R422003118	1080	1400	46	58
R422003186	720	790	42	50
R422003188	280	300	38	42