

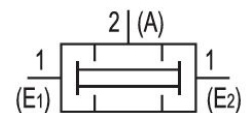
Twin pressure valve (AND)

0821001004

Logic valves

2024-12-10

Twin pressure valves (AND)



Technical data

| | |
|------------------------------------|---------------------|
| Industry | Industrial |
| Sealing principle | Soft seal |
| Type | Poppet valve |
| Medium | Compressed air |
| Max. particle size | 5 µm |
| Min. ambient temperature | 0 °C |
| Max. ambient temperature | 80 °C |
| Min. medium temperature | 0 °C |
| Max. medium temperature | 80 °C |
| Min. oil content of compressed air | 0 mg/m ³ |
| Max. oil content of compressed air | 5 mg/m ³ |
| Logic function | AND |
| Connection type | Pipe connection |
| Compressed air connection input | M5 |
| Compressed air connection output | M5 |
| Nominal flow Q _n | 80 l/min |
| Min. working pressure | 1 bar |
| Max. working pressure | 10 bar |
| Weight | 0.011 kg |

Twin pressure valve (AND)

0821001004

Logic valves

2024-12-10

| | |
|---------------------------|--------------------------------|
| Housing material | Polyamide |
| Seal material | Acrylonitrile butadiene rubber |
| Material threaded bushing | Brass |
| Part No. | 0821001004 |

Technical information

The min. control pressure must be adhered to, since otherwise faulty switching and valve failure may result!

The pressure dew point must be at least 15 °C less than ambient and medium temperature and may not exceed 3 °C.

The oil content of compressed air must remain constant during the life cycle.

Use only the approved oils from AVENTICS. Further information can be found in the "Technical information" document (available in <https://www.emerson.com/en-us/support>).

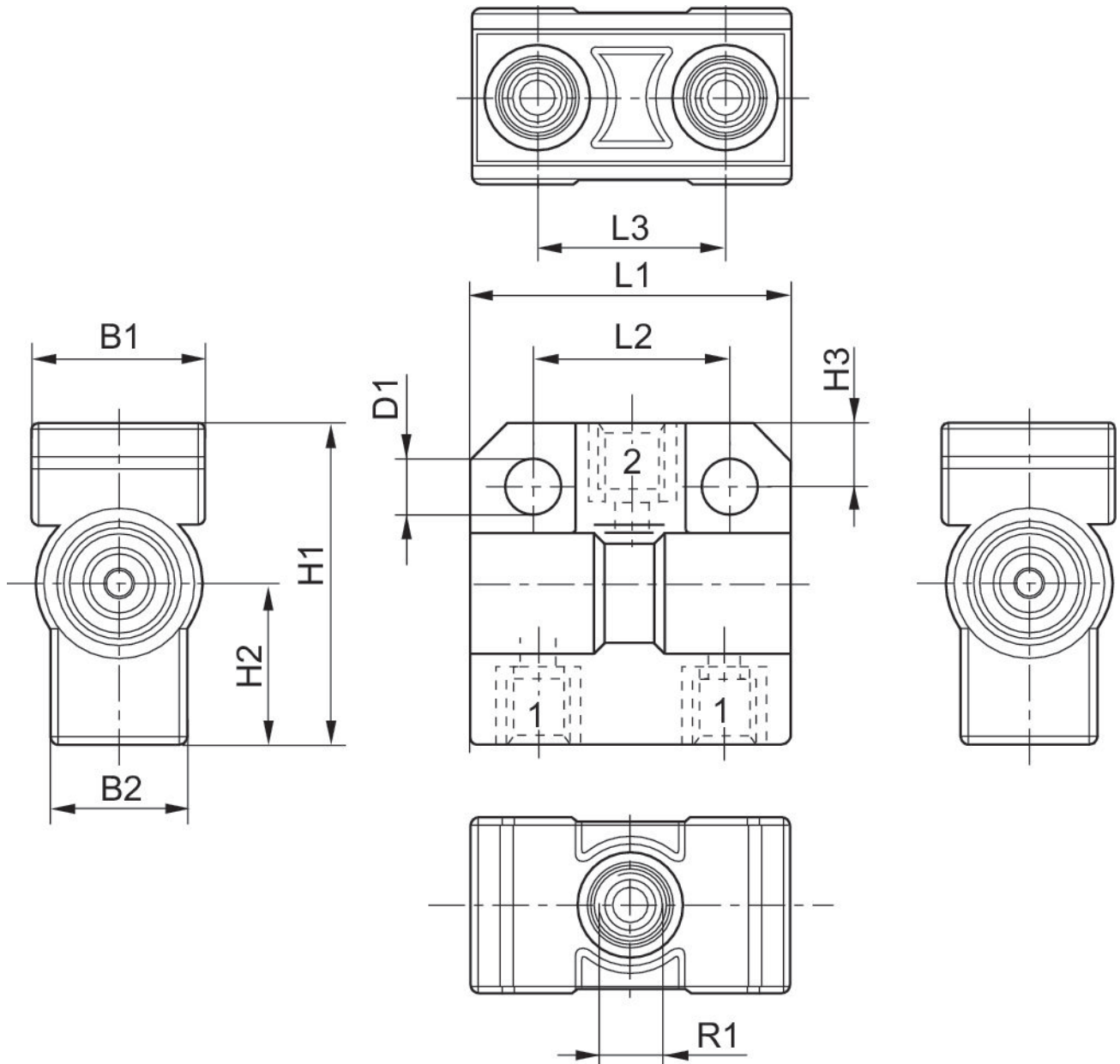
Twin pressure valve (AND)

0821001004

Logic valves

2024-12-10

Dimensions



| Part No. | R1 | B1 | B2 | D1 | H1 | H2 | H3 | L1 | L2 | L3 |
|------------|----|----|----|-----|----|----|----|----|----|----|
| 0821001004 | M5 | 14 | 11 | 4.3 | 26 | 13 | 5 | 26 | 16 | 15 |

| Part No. | * |
|------------|---|
| 0821001004 | 5 |

* = depth of thread