

Blanking screw with O-ring, Series FPT

2024-03-21

R412010744

AVENTICS Blanking screws and connectors

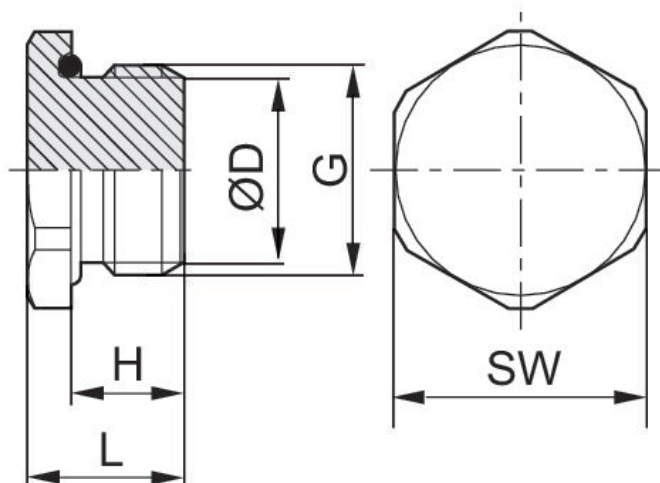
Technical data

| | |
|--------------------------------|-----------------|
| Industry | Industrial |
| Compressed air connection type | External thread |
| Port G | G 1/4 |
| Type | FPT-S-RBA |
| Min. working pressure | 0 bar |
| Max. working pressure | 16 bar |
| Min. ambient temperature | -20 °C |
| Max. ambient temperature | 80 °C |
| Delivery unit | 25 piece |

Material

| | |
|---------------|--------------------------|
| Material | brass, nickel-plated |
| Seal material | Nitrile butadiene rubber |
| Part No. | R412010744 |

Dimensions



Blanking screw with O-ring, Series FPT

2024-03-21

R412010744

| Part No. | Port G | ØD | H | L | SW |
|------------|--------|------|-----|------|----|
| R412010743 | G 1/8 | 8 | 5.5 | 8 | 14 |
| R412010744 | G 1/4 | 11 | 6.5 | 10 | 19 |
| R412010745 | G 3/8 | 14 | 7.5 | 11.5 | 22 |
| R412010746 | G 1/2 | 17.5 | 9 | 13 | 24 |