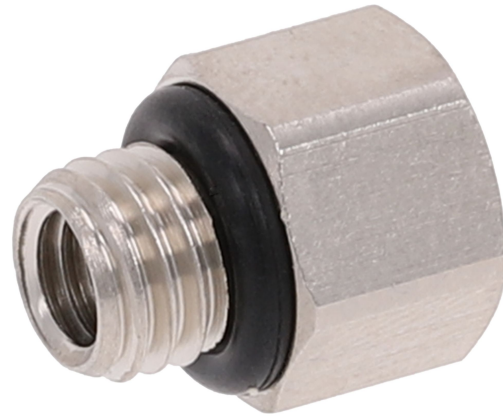


Reducing nipple

2122807050

2024-03-21

AVENTICS Blanking screws and connectors



Technical data

Industry	Industrial
Compressed air connection type	External thread
Port G	M7
Compressed air connection type 2	Internal thread
Port D	M5
Type	FPT-S-RDZ
Min. working pressure	0 bar
Max. working pressure	16 bar
Min. ambient temperature	-20 °C
Max. ambient temperature	80 °C
Delivery unit	10 piece

Material

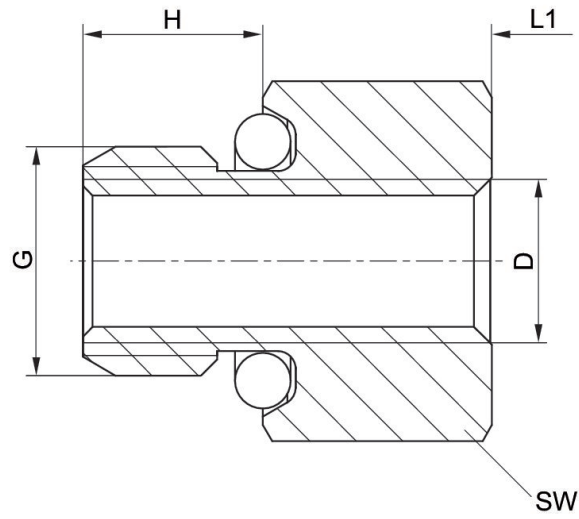
Material	Brass
Surface	nickel-plated
Seal material	Polyvinyl chloride
Surface seals	hard
Part No.	2122807050

Reducing nipple

2024-03-21

2122807050

Dimensions



Part No.	Port D	Port G	H	L1	SW
2122807050	M5	M7	5.5	7	10