

## AVENTICS Blanking screws and connectors



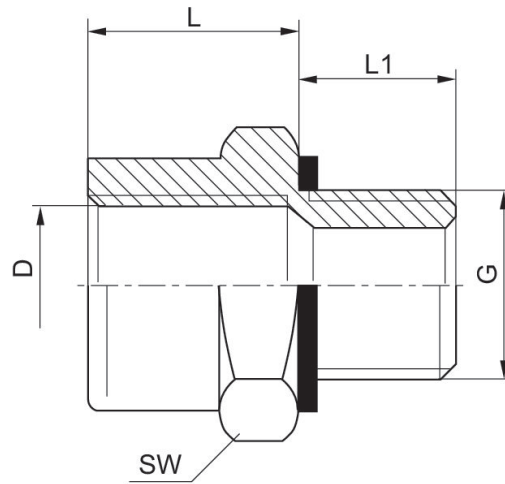
### Technical data

|                                  |                 |
|----------------------------------|-----------------|
| Industry                         | Industrial      |
| Compressed air connection type   | External thread |
| Port G                           | G 3/8           |
| Compressed air connection type 2 | Internal thread |
| Port D                           | G 1/2           |
| Type                             | FPT-S-REN       |
| Min. working pressure            | 0 bar           |
| Max. working pressure            | 16 bar          |
| Min. ambient temperature         | -20 °C          |
| Max. ambient temperature         | 80 °C           |
| Delivery unit                    | 10 piece        |
| Weight                           | 0.04 kg         |

### Material

|               |                    |
|---------------|--------------------|
| Material      | Brass              |
| Surface       | nickel-plated      |
| Seal material | Polyvinyl chloride |
| Part No.      | 2122938120         |

## Dimensions



| Part No.   | Port D | Port G | L    | L1 | SW |
|------------|--------|--------|------|----|----|
| 8633051800 | G 1/8  | M5     | 14   | 4  | 14 |
| 2122918140 | G 1/4  | G 1/8  | 13,5 | 6  | 17 |
| 2122914380 | G 3/8  | G 1/4  | 14,5 | 8  | 22 |
| 8633141200 | G 1/2  | G 1/4  | 18   | 8  | 24 |
| 2122938120 | G 1/2  | G 3/8  | 27   | 9  | 26 |