

Blanking screw

2024-03-21

1823462004

AVENTICS Blanking screws and connectors



Technical data

Industry	Industrial
Compressed air connection type	External thread
Port G	G 1/8
Type	FPT-S-RIO
Min. working pressure	0 bar
Max. working pressure	16 bar
Min. ambient temperature	-20 °C
Max. ambient temperature	80 °C
Delivery unit	10 piece

Material

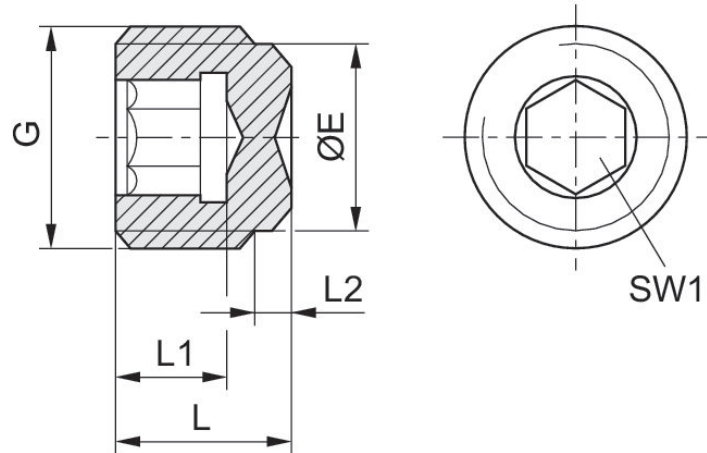
Material	Brass
Part No.	1823462004

Blanking screw

2024-03-21

1823462004

Dimensions



Dimensions in mm

Part No.	Port G	ØE	L	L1	L2	SW1
1823462004	G 1/8	8	8	5	2	5
1823462003	G 1/4	11	11	7	3.5	6