

# Fine setting valve

3610547500

Fine setting  
valves

2024-03-14

## AVENTICS Fine setting valves

Fine-Setting-Valve: Manually operated pressure regulators with multiple manual actuating element choice.



## Technical data

|                                       |                 |
|---------------------------------------|-----------------|
| Industry                              | Industrial      |
| Type                                  | Poppet valve    |
| Actuating element                     | Push button     |
| Compressed air connection input       | G 1/4           |
| Compressed air connection type input  | Internal thread |
| Compressed air connection output      | G 1/4           |
| Compressed air connection type output | Internal thread |
| Compressed air connection pilot air   | G 1/4           |
| Min. working pressure                 | 0.1 bar         |
| Max. working pressure                 | 10 bar          |
| Min. regulation range                 | 0.1 bar         |
| Max. regulation range                 | 5.1 bar         |
| Min. ambient temperature              | -25 °C          |
| Max. ambient temperature              | 70 °C           |
| Min. medium temperature               | -25 °C          |
| Max. medium temperature               | 70 °C           |
| Medium                                | Compressed air  |
| Nominal flow Qn                       | 900 l/min       |
| Hysteresis                            | < 0,15 bar      |
| control stroke                        | 7.5 mm          |
| Min. actuating force                  | 100 N           |
| Weight                                | 0.6 kg          |

# Fine setting valve

3610547500

Fine setting  
valves

2024-03-14

---

|                  |                                |
|------------------|--------------------------------|
| Housing material | Die cast zinc                  |
| Seal material    | Acrylonitrile butadiene rubber |
| Part No.         | 3610547500                     |

## Technical information

The min. control pressure must be adhered to, since otherwise faulty switching and valve failure may result!

The pressure dew point must be at least 15 °C less than ambient and medium temperature and may not exceed 3 °C.

The oil content of compressed air must remain constant during the life cycle.

Use only the approved oils from AVENTICS. Further information can be found in the "Technical information" document (available in <https://www.emerson.com/en-us/support>).

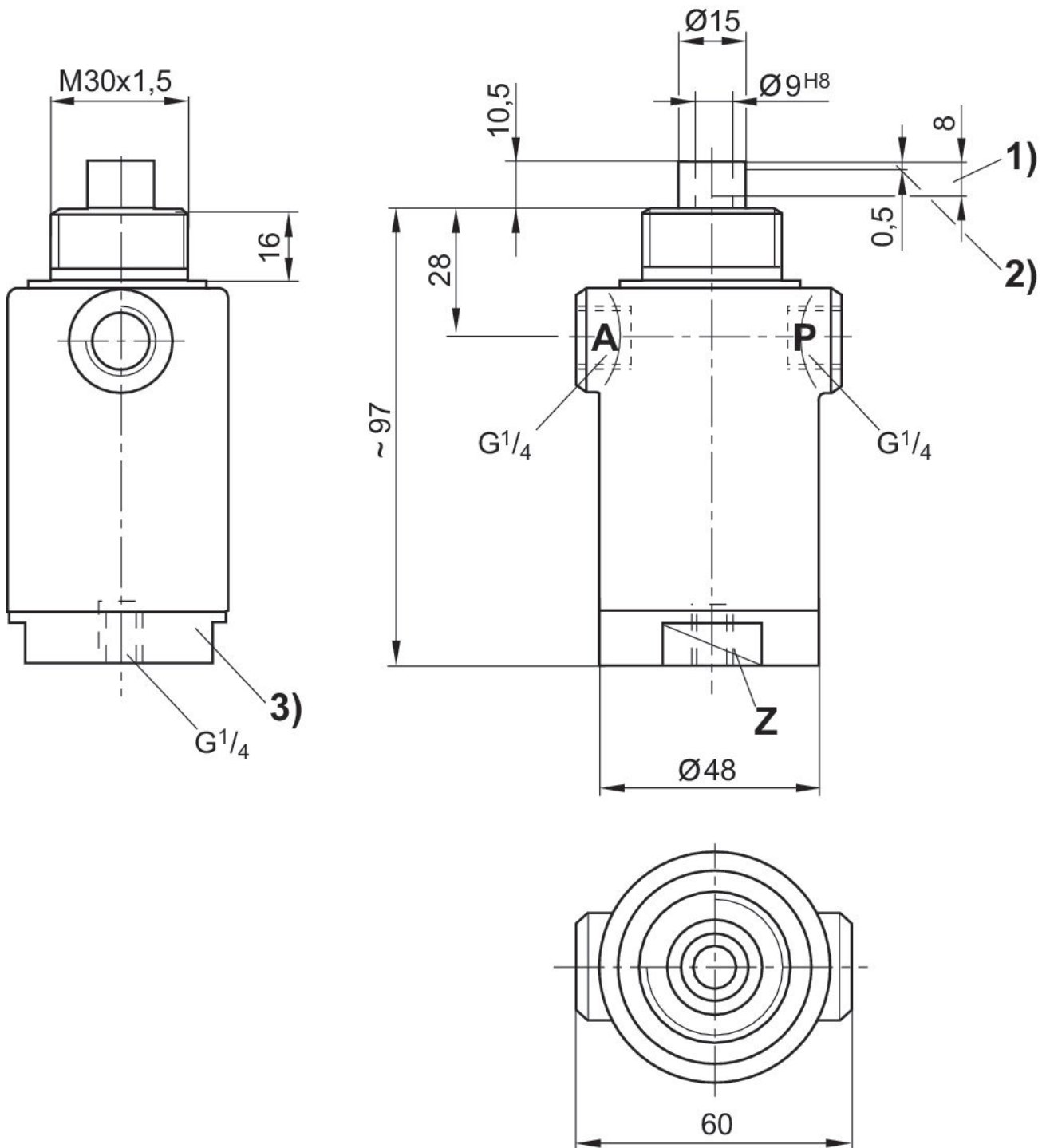
# Fine setting valve

3610547500

Fine setting  
valves

2024-03-14

## Dimensions



1) Stroke 2) Closing or exhaust stroke 3) Screw cap  
A = connection output  
P = connection input  
Z = control line connection

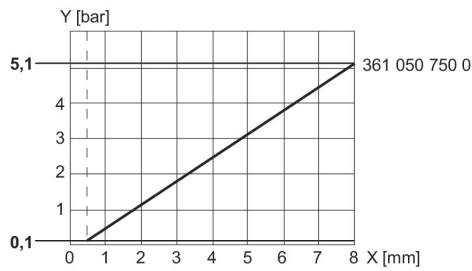
# Fine setting valve

3610547500

Fine setting valves

2024-03-14

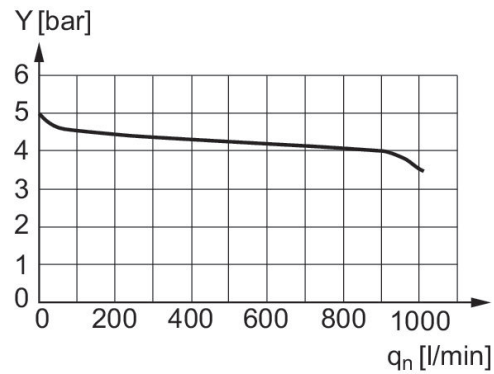
## Pressure characteristics curve



x = stroke

When pressurizing port Z, pressure in the operating line (port A) increases by the pressure applied at port Z. The pressure at port A may not exceed the pressure at port P.

## Flow rate characteristic, $p_2 = 0,05 - 7$ bar



input pressure: 8 bar, supply pressure: 6 bar y: pressure in line "A" [bar]