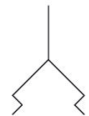


AVENTICS Series FSG Flat suction grippers

AVENTICS Series FSG are round flat suction cups. FSG suction cups are the right choice for many standard applications with level, flat workpieces. Round, bellows suction cup with 2.5 folds for handling of extremely sensitive workpieces (optimum damping effect). Moreover, the special design of the folds permits use in systems with very short cycle times.



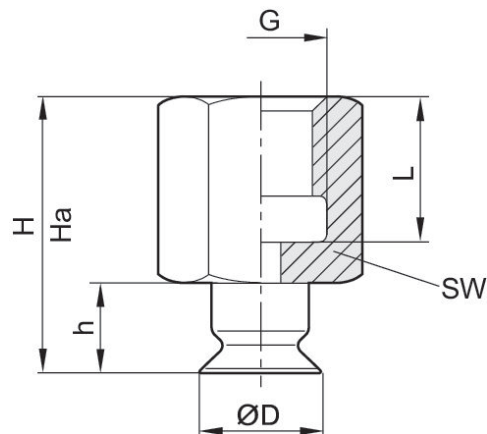
Technical data

| | |
|--|-------------------------|
| Industry | Industrial |
| Min. ambient temperature | -30 °C |
| Max. ambient temperature | 180 °C |
| Temperature resistance | Heat resistant |
| Temporary ambient temperature (<30 s) min. | -50 °C |
| Temporary ambient temperature (<30 s) max. | 220 °C |
| Compressed air connection | G 1/8 |
| external diameter | 10 mm |
| Holding force | 4 N |
| Volume | 0.07 cm ³ |
| Max. curving on object R min | 13 mm |
| Abrasion value according to DIN 535 16 | 180-200 mm ³ |
| Hardness according to standard | 55 ± 5 Shore A |
| Connection thread type | Internal thread |
| Material connector | Aluminum |
| Suction unit material | Fluoromethyl silicone |
| Delivery unit | 2 piece |
| Weight | 0.0016 kg |
| Part No. | 1820455063 |

Technical information

To be used on even and smooth to slightly rough surfaces.

Dimensions



| Part No. | ØD | G | $H_a^*)$ | H | h | L | SW |
|------------|-------------|-------|----------|------|-----|-----|----|
| 1820455051 | 5 | M5 | 15.6 | 16.5 | 6.5 | 8.5 | 8 |
| 1820455055 | 6 | M5 | 15.5 | 16.5 | 6.5 | 8.5 | 8 |
| 1820455059 | 8 | M5 | 15.6 | 17 | 7 | 8.5 | 8 |
| 1820455063 | 10 | G 1/8 | 22.2 | 23.5 | 7.5 | 13 | 14 |

*) Height for vacuum operation