

AVENTICS Series FSG Flat suction grippers

AVENTICS Series FSG are round flat suction cups. FSG suction cups are the right choice for many standard applications with level, flat workpieces. Round, bellows suction cup with 2.5 folds for handling of extremely sensitive workpieces (optimum damping effect). Moreover, the special design of the folds permits use in systems with very short cycle times.



Technical data

Industry	Industrial
Min. ambient temperature	-40 °C
Max. ambient temperature	80 °C
Temporary ambient temperature (<30 s) min.	-40 °C
Temporary ambient temperature (<30 s) max.	100 °C
Compressed air connection	G 1/8
external diameter	30 mm
Holding force	32 N
Volume	1.7 cm ³
Max. curving on object R min	25 mm
Abrasion value according to DIN 535 16	10-12 mm ³
Hardness according to standard	72 ± 5 Shore A
Connection thread type	Internal thread
low-wear	low-wear
Material connector	Aluminum
Suction unit material	Polyurethane
Delivery unit	1 piece
Weight	0.008 kg
Part No.	1820415154

Technical information

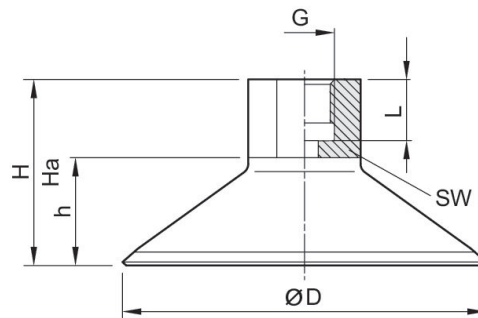
To be used on even and smooth to slightly rough surfaces.

Flat suction gripper, Series FSG

2024-03-14

1820415154

Dimensions



Part No.	$\varnothing D$	G	H	$H_a^*)$	h	L	SW
1820415153	14.5	G 1/8	25.5	24	9.5	9	14
1820415154	30	G 1/8	29	26	13	9	14
1820415155	50	G 1/4	32	27.5	17	12	17
1820415172	60	G 1/4	33.5	27.5	18.5	12	17
1820415156	80	G 1/4	40	34	25	12	22
1820415157	95	G 1/4	40	34	25	12	22

*) Height for vacuum operation