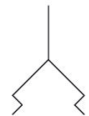


AVENTICS Series FSG Flat suction grippers

AVENTICS Series FSG are round flat suction cups. FSG suction cups are the right choice for many standard applications with level, flat workpieces. Round, bellows suction cup with 2.5 folds for handling of extremely sensitive workpieces (optimum damping effect). Moreover, the special design of the folds permits use in systems with very short cycle times.



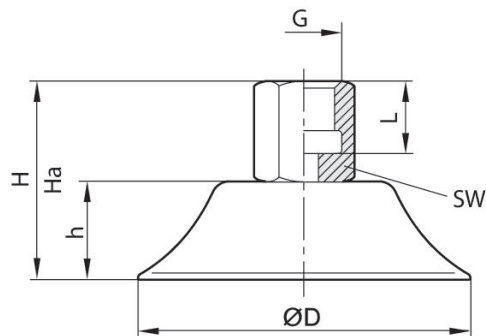
Technical data

Industry	Industrial
Min. ambient temperature	-30 °C
Max. ambient temperature	180 °C
Temperature resistance	Heat resistant
Temporary ambient temperature (<30 s) min.	-50 °C
Temporary ambient temperature (<30 s) max.	220 °C
Compressed air connection	G 1/8
external diameter	35 mm
Holding force	44 N
Volume	0.8 cm ³
Max. curving on object R min	50 mm
Abrasion value according to DIN 535 16	180-200 mm ³
Hardness according to standard	55 ± 5 Shore A
Connection thread type	Internal thread
Material connector	Aluminum
Suction unit material	Fluoromethyl silicone
Delivery unit	1 piece
Weight	0.0119 kg
Part No.	1820455083

Technical information

To be used on even and smooth to slightly rough surfaces.

Dimensions



Part No.	$\varnothing D$	G	Ha^*	H	h	L	SW
1820455067	15	G 1/8	22.1	24	8	13	14
1820455071	20	G 1/8	23.7	26	10	13	14
1820455075	25	G 1/8	27	30	14	13	14
1820455079	28.8	G 1/8	26	28	12	13	14
1820455083	35	G 1/8	27	30	14	13	14
1820455087	40	G 1/8	26.5	30	14	13	14
1820455091	50	G 1/8	27	31	15	13	14
1820455095	60	G 1/4	34	39	18.5	11	17
1820455099	80	G 1/4	35	41	20.5	11	17
1820455103	95	G 1/4	35.5	41.5	21.5	11	17
1820415164	120	G 1/2	30.5	36.5	23.5	13	–
1820415166	147.5	G 1/2	36.5	45.5	31	13	–

*) Height for vacuum operation