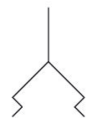


AVENTICS Series FSG Flat suction grippers

AVENTICS Series FSG are round flat suction cups. FSG suction cups are the right choice for many standard applications with level, flat workpieces. Round, bellows suction cup with 2.5 folds for handling of extremely sensitive workpieces (optimum damping effect). Moreover, the special design of the folds permits use in systems with very short cycle times.



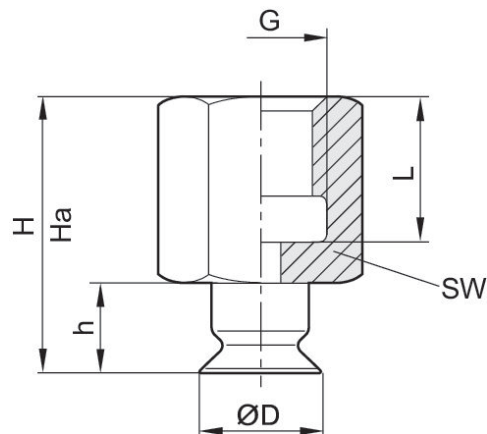
Technical data

Industry	Industrial
Min. ambient temperature	-30 °C
Max. ambient temperature	180 °C
Temperature resistance	Heat resistant
Temporary ambient temperature (<30 s) min.	-50 °C
Temporary ambient temperature (<30 s) max.	220 °C
Compressed air connection	M5
external diameter	5 mm
Holding force	0.75 N
Volume	0.005 cm ³
Max. curving on object R min	8 mm
Abrasion value according to DIN 535 16	180-200 mm ³
Hardness according to standard	55 ± 5 Shore A
Connection thread type	Internal thread
Material connector	Aluminum
Suction unit material	Fluoromethyl silicone
Delivery unit	2 piece
Weight	0.0014 kg
Part No.	1820455051

Technical information

To be used on even and smooth to slightly rough surfaces.

Dimensions



Part No.	$\varnothing D$	G	$H_a^*)$	H	h	L	SW
1820455051	5	M5	15.6	16.5	6.5	8.5	8
1820455055	6	M5	15.5	16.5	6.5	8.5	8
1820455059	8	M5	15.6	17	7	8.5	8
1820455063	10	G 1/8	22.2	23.5	7.5	13	14

*) Height for vacuum operation