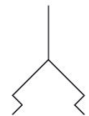


AVENTICS Series FSG Flat suction grippers

AVENTICS Series FSG are round flat suction cups. FSG suction cups are the right choice for many standard applications with level, flat workpieces. Round, bellows suction cup with 2.5 folds for handling of extremely sensitive workpieces (optimum damping effect). Moreover, the special design of the folds permits use in systems with very short cycle times.



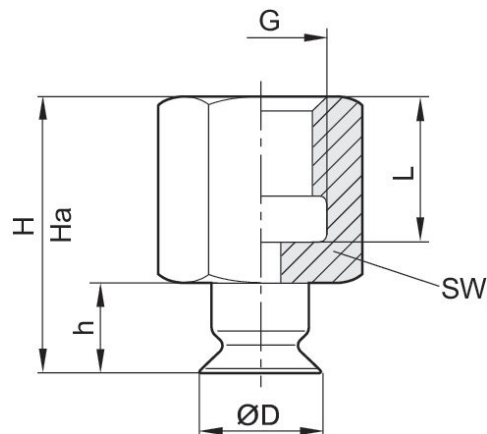
Technical data

Industry	Industrial
Min. ambient temperature	-10 °C
Max. ambient temperature	70 °C
Temporary ambient temperature (<30 s) min.	-30 °C
Temporary ambient temperature (<30 s) max.	120 °C
Compressed air connection	M5
external diameter	5 mm
Holding force	0.75 N
Volume	0.005 cm ³
Max. curving on object R min	8 mm
Abrasion value according to DIN 535 16	100-120 mm ³
Hardness according to standard	55 ± 5 Shore A
Connection thread type	Internal thread
Material connector	Aluminum
Suction unit material	Acrylonitrile butadiene rubber
Delivery unit	2 piece
Weight	0.0014 kg
Part No.	1820455049

Technical information

To be used on even and smooth to slightly rough surfaces.

Dimensions



Part No.	ØD	G	$H_a^*)$	H	h	L	SW
1820455049	5	M5	15.6	16.5	6.5	8.5	8
1820455053	6	M5	15.5	16.5	6.5	8.8	8
1820455057	8	M5	15.6	17	7	8.5	8
1820455061	10	G 1/8	22.2	23.5	7.5	13	14

*) Height for vacuum operation