

AVENTICS Series FSG Flat suction grippers

AVENTICS Series FSG are round flat suction cups. FSG suction cups are the right choice for many standard applications with level, flat workpieces. Round, bellows suction cup with 2.5 folds for handling of extremely sensitive workpieces (optimum damping effect). Moreover, the special design of the folds permits use in systems with very short cycle times.



Technical data

| | |
|--|-----------------------|
| Industry | Industrial |
| Min. ambient temperature | -40 °C |
| Max. ambient temperature | 80 °C |
| Temporary ambient temperature (<30 s) min. | -40 °C |
| Temporary ambient temperature (<30 s) max. | 100 °C |
| Compressed air connection | G 1/4 |
| external diameter | 50 mm |
| Holding force | 95 N |
| Volume | 6 cm ³ |
| Max. curving on object R min | 75 mm |
| Abrasion value according to DIN 535 16 | 10-12 mm ³ |
| Hardness according to standard | 72 ± 5 Shore A |
| Connection thread type | External thread |
| low-wear | low-wear |
| Material connector | Aluminum |
| Suction unit material | Polyurethane |
| Delivery unit | 1 piece |
| Weight | 0.0149 kg |
| Part No. | 1820455015 |

Technical information

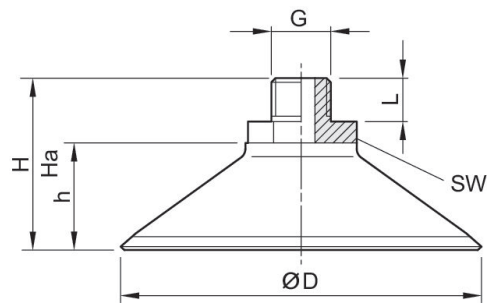
To be used on even and smooth to slightly rough surfaces.

Flat suction gripper, Series FSG

2024-03-14

1820455015

Dimensions



| Part No. | ØD | G | H | Ha*) | h | L | SW |
|------------|------|-------|------|------|------|----|----|
| 1820455012 | 14.5 | G 1/8 | 22.5 | 21 | 9.5 | 8 | 14 |
| 1820455013 | 30 | G 1/8 | 26 | 23 | 13 | 8 | 14 |
| 1820455015 | 50 | G 1/4 | 32 | 27.5 | 17 | 10 | 17 |
| 1820415173 | 60 | G 1/4 | 33.5 | 27.5 | 18.5 | 10 | 17 |
| 1820455018 | 80 | G 1/4 | 40 | 34 | 25 | 10 | 22 |
| 1820455111 | 95 | G 1/4 | 40 | 34 | 25 | 10 | 22 |

*) Height for vacuum operation