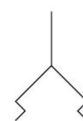


## AVENTICS Series FSG Flat suction grippers

AVENTICS Series FSG are round flat suction cups. FSG suction cups are the right choice for many standard applications with level, flat workpieces. Round, bellows suction cup with 2.5 folds for handling of extremely sensitive workpieces (optimum damping effect). Moreover, the special design of the folds permits use in systems with very short cycle times.



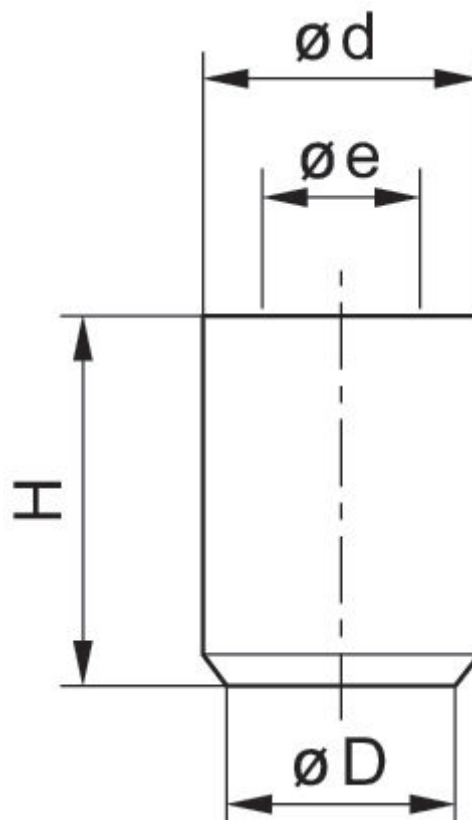
## Technical data

Industry	Industrial
Min. ambient temperature	-10 °C
Max. ambient temperature	70 °C
Temporary ambient temperature (<30 s) min.	-30 °C
Temporary ambient temperature (<30 s) max.	120 °C
external diameter	3.5 mm
Holding force	0.42 N
Volume	0.002 cm <sup>3</sup>
Max. curving on object R min	8 mm
Abrasion value according to DIN 535 16	100-120 mm <sup>3</sup>
Hardness according to standard	55 ± 5 Shore A
Connection thread type	pluggable
Suction unit material	Acrylonitrile butadiene rubber
Delivery unit	5 piece
Weight	0.001 kg
Part No.	1820455108

## Technical information

May be used on even and smooth surfaces.

Fig. 1



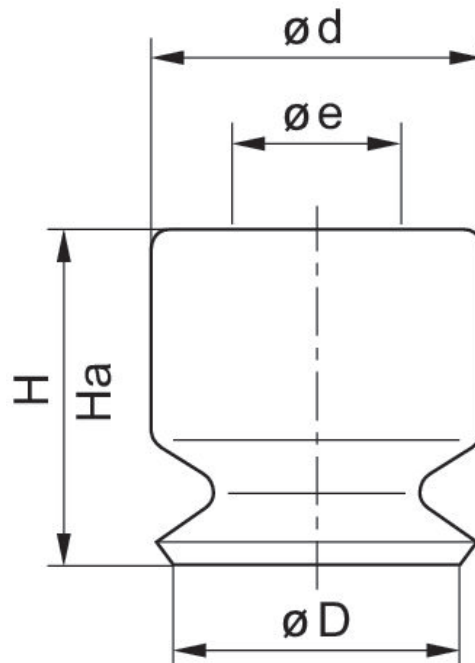
Part No.	$\varnothing D$	$\varnothing e$	$\varnothing d$	H
1820455105	1	0.8	1.2	1.6
1820455106	1.5	1.2	1.8	2.5

Fig. 2

# Flat suction gripper, Series FSG

2024-03-14

1820455108



Part No.	$\varnothing D$	$\varnothing e$	$\varnothing d$	$H_a^*)$	H
1820455107	2	2	4	3.5	4
1820455108	3.5	2	4	3.5	4

\*) Height for vacuum operation