

AVENTICS Series FSO Flat suction grippers

AVENTICS Series FSO are a range of oval flat suction cups ideal for long and cylindrical workpieces. Thanks to their oval shape, the contact surface available for establishing the vacuum is increased and optimized.



Technical data

Industry	Industrial
Min. ambient temperature	-10 °C
Max. ambient temperature	70 °C
Temporary ambient temperature (<30 s) min.	-30 °C
Temporary ambient temperature (<30 s) max.	120 °C
Compressed air connection	G 1/4
Holding force	28.2 N
Volume	0.98 cm ³
Max. curving on object R min	10 mm
Abrasion value according to DIN 535 16	100-120 mm ³
Hardness according to standard	60 ± 5 Shore A
Connection thread type	External thread
Material connector	Aluminum
Suction unit material	Acrylonitrile butadiene rubber
Delivery unit	1 piece
Weight	0.014 kg
Part No.	1820415125

Oval suction gripper, Series FSO

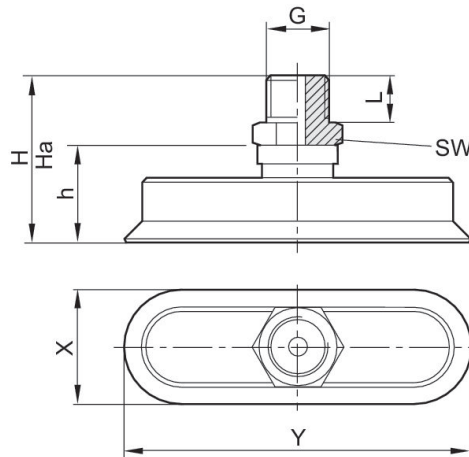
2024-03-14

1820415125

Technical information

To be used on long, flat, and slightly curved surfaces.

Dimensions



Part No.	G	X	Y	Ha ^{*)}	H	h	L	SW
1820415121	M5	5	15	21.3	22	12	5	8
1820415122	M5	6	18	21.2	22	12	5	8
1820415123	G 1/8	8	24	24	25	12	8	14
1820415124	G 1/8	10	30	23.5	25	12	8	14
1820415125	G 1/4	15	45	34	36	21	10	17
1820415126	G 1/4	20	60	33.5	36	21	10	17
1820415127	G 1/4	25	75	33.2	36	21	10	17
1820415128	G 1/4	30	90	32.5	36	21	10	17

^{*)} Height for vacuum operation