

## AVENTICS Series FSO Flat suction grippers

AVENTICS Series FSO are a range of oval flat suction cups ideal for long and cylindrical workpieces. Thanks to their oval shape, the contact surface available for establishing the vacuum is increased and optimized.



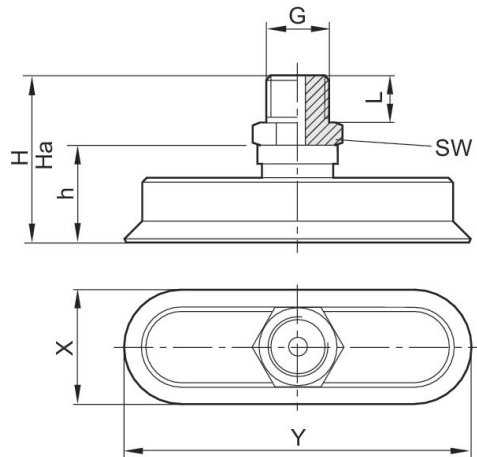
## Technical data

|  |                                |
|--|--------------------------------|
| Industry                                   | Industrial                     |
| Min. ambient temperature                   | -10 °C                         |
| Max. ambient temperature                   | 70 °C                          |
| Temporary ambient temperature (<30 s) min. | -30 °C                         |
| Temporary ambient temperature (<30 s) max. | 120 °C                         |
| Compressed air connection                  | G 1/4                          |
| Holding force                              | 112.6 N                        |
| Volume                                     | 8.5 cm <sup>3</sup>            |
| Max. curving on object R min               | 35 mm                          |
| Abrasion value according to DIN 535 16     | 100-120 mm <sup>3</sup>        |
| Hardness according to standard             | 60 ± 5 Shore A                 |
| Connection thread type                     | External thread                |
| Material connector                         | Aluminum                       |
| Suction unit material                      | Acrylonitrile butadiene rubber |
| Delivery unit                              | 1 piece                        |
| Weight                                     | 0.035 kg                       |
| Part No.                                   | 1820415128                     |

## Technical information

To be used on long, flat, and slightly curved surfaces.

## Dimensions



| Part No.   | G     | X  | Y  | Ha*) | H  | h  | L  | SW |
|------------|-------|----|----|------|----|----|----|----|
| 1820415121 | M5    | 5  | 15 | 21.3 | 22 | 12 | 5  | 8  |
| 1820415122 | M5    | 6  | 18 | 21.2 | 22 | 12 | 5  | 8  |
| 1820415123 | G 1/8 | 8  | 24 | 24   | 25 | 12 | 8  | 14 |
| 1820415124 | G 1/8 | 10 | 30 | 23.5 | 25 | 12 | 8  | 14 |
| 1820415125 | G 1/4 | 15 | 45 | 34   | 36 | 21 | 10 | 17 |
| 1820415126 | G 1/4 | 20 | 60 | 33.5 | 36 | 21 | 10 | 17 |
| 1820415127 | G 1/4 | 25 | 75 | 33.2 | 36 | 21 | 10 | 17 |
| 1820415128 | G 1/4 | 30 | 90 | 32.5 | 36 | 21 | 10 | 17 |

\*) Height for vacuum operation