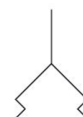


AVENTICS Series FSO Flat suction grippers

AVENTICS Series FSO are a range of oval flat suction cups ideal for long and cylindrical workpieces. Thanks to their oval shape, the contact surface available for establishing the vacuum is increased and optimized.



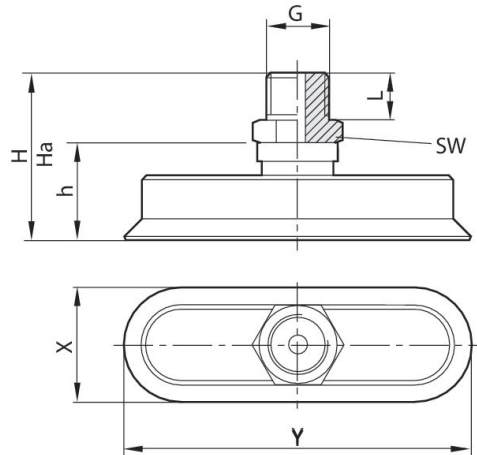
Technical data

Industry	Industrial
Min. ambient temperature	-30 °C
Max. ambient temperature	180 °C
Temperature resistance	Heat resistant
Temporary ambient temperature (<30 s) min.	-50 °C
Temporary ambient temperature (<30 s) max.	220 °C
Compressed air connection	G 1/8
Holding force	8 N
Volume	0.138 cm ³
Max. curving on object R min	8 mm
Abrasion value according to DIN 535 16	180-200 mm ³
Hardness according to standard	60 ± 5 Shore A
Connection thread type	External thread
Material connector	Aluminum
Suction unit material	Fluoromethyl silicone
Delivery unit	1 piece
Weight	0.007 kg
Part No.	1820415131

Technical information

To be used on long, flat, and slightly curved surfaces.

Dimensions



Part No.	G	X	Y	Ha*)	H	h	L	SW
1820415129	M5	5	15	21.3	22	12	5	8
1820415130	M5	6	18	21.2	22	12	5	8
1820415131	G 1/8	8	24	24	25	12	8	14
1820415132	G 1/8	10	30	23.5	25	12	8	14
1820415133	G 1/4	15	45	34	36	21	10	17
1820415134	G 1/4	20	60	33.5	36	21	10	17
1820415135	G 1/4	25	75	33.2	36	21	10	17
1820415136	G 1/4	30	90	32.5	36	21	10	17

*) Height for vacuum operation