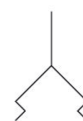


AVENTICS Series FSR Flat suction grippers

AVENTICS Series FSR As is a universal gripper with round flat suction cups making it the right choice for many standard applications with level, flat workpieces. It is available in a wide range of sizes up to diameters of 300 mm, and in different materials.



Technical data

Industry	Industrial
Min. ambient temperature	-20 °C
Max. ambient temperature	130 °C
Temperature resistance	Heat resistant
Compressed air connection	G 3/8
external diameter	100 mm
Holding force	304 N
Volume	56 cm ³
Max. curving on object R min	165 mm
Abrasion value according to DIN 535 16	91 mm ³
Hardness according to standard	70 ± 5 Shore A
Connection thread type	Internal thread
Material connector	Aluminum
Suction unit material	Hydrogenated acrylonitrile butadiene rubber
Weight	0.07 kg
Part No.	7321002000

Technical information

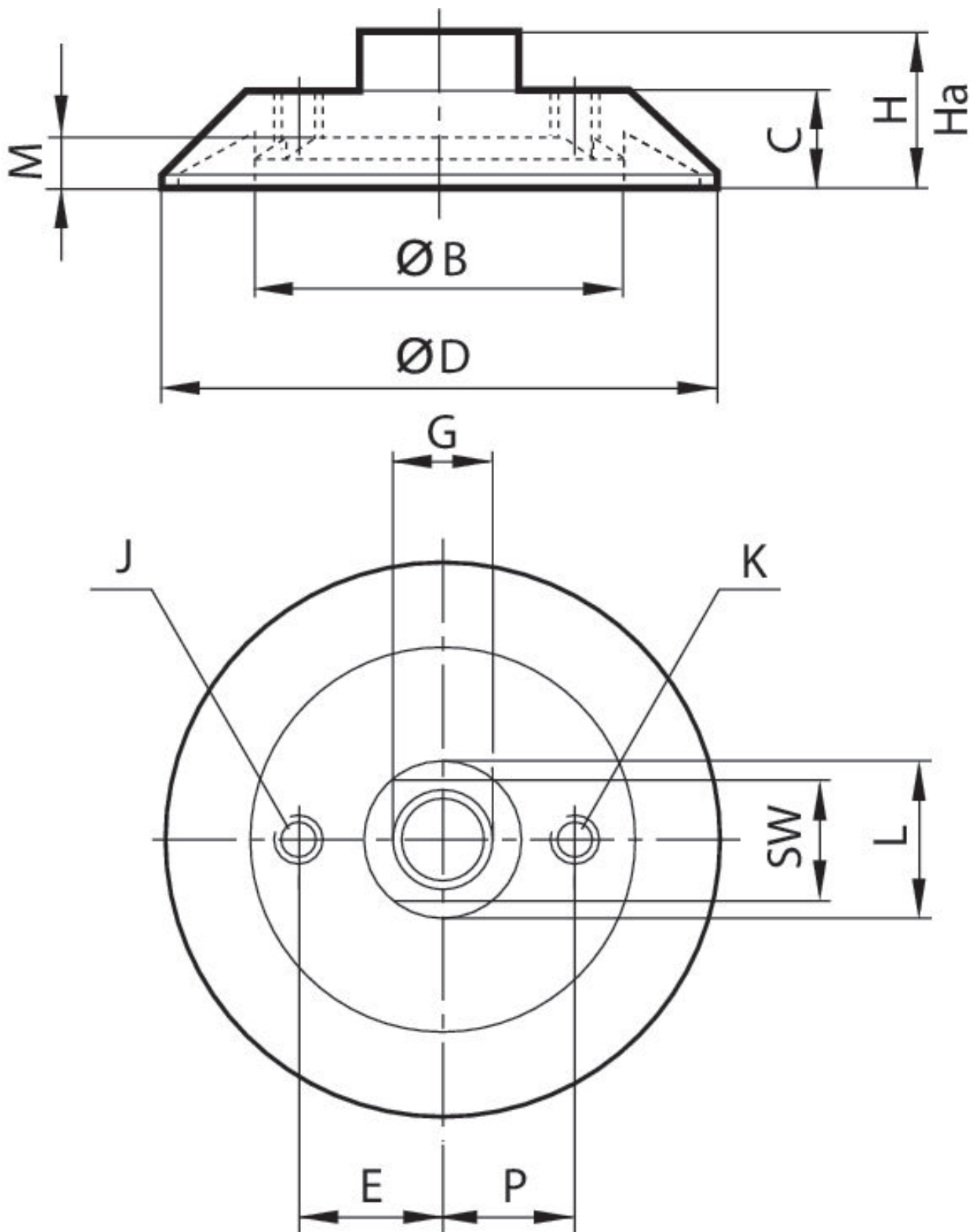
To be used on even, smooth, and rough surfaces.

Flat suction gripper, Series FSR

2024-03-14

7321002000

Dimensions



Flat suction gripper, Series FSR

2024-03-14

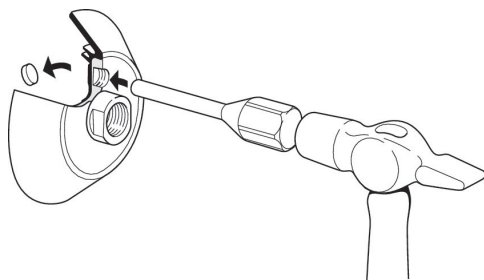
7321002000

Part No.	ØD	G	Ø B	C	E	H	Ha*)	J	K
7320302000	30	M5	13	10	–	17	14.5	–	–
7320502000	50	G 1/8	31	11	–	18	13.5	–	–
7320752000	75	G 1/4	49	14	–	22	16.5	–	–
7321002000	100	G 3/8	65.5	18	–	28	21	–	G 1/8
7321502000	150	G 1/2	96	26	–	42	33	–	G 1/8

Part No.	L	M	P	SW
7320302000	10	3.5	–	8
7320502000	18	5.5	–	14
7320752000	22	7	–	17
7321002000	24	8.5	20	21
7321502000	35	12	30	27

*) Height for vacuum operation

Technical information



A ventilation valve can be connected at the thread connection of the suction cups Ø 100, 150, 225 and 300. For this, the plug must be knocked from the material with a hammer and mandrel.

Max. curving on object R min

