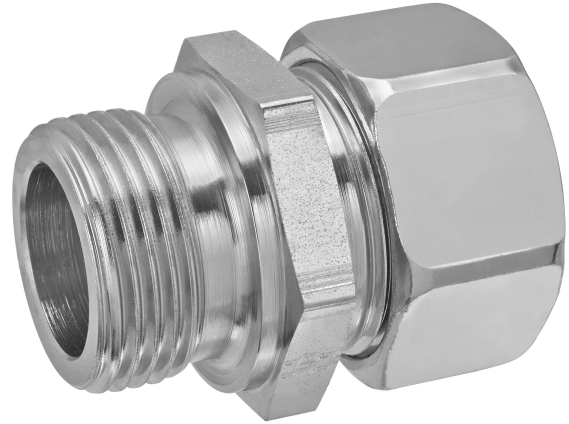


## AVENTICS Blanking screws and connectors



### Technical data

Industry	Industrial
Port G	G 3/4
Min. working pressure	0 bar
Max. working pressure	10 bar
Min. ambient temperature	-20 °C
Max. ambient temperature	150 °C

### Material

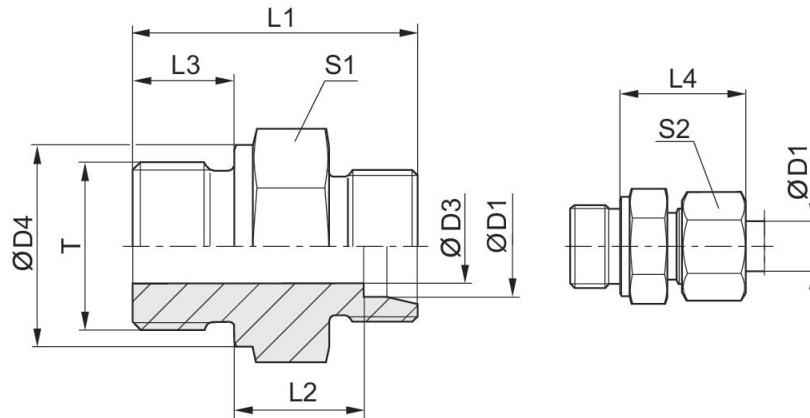
Material	Steel, chrome-plated
Part No.	8938028560

# Straight fitting

2024-03-21

8938028560

## Dimensions



Part No.	Port G	ØD1	ØD3	ØD4	L1	L2	L3	L4	S1
8938028550	G 3/4	18	15	32	38	14,5	16	30	32
8938028560	G 3/4	22	18	32	40	16,5	16	33	32

Part No.	S2	T
8938028550	32	G3/4
8938028560	36	G3/4