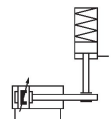


AVENTICS Series HU1 Holding units

The AVENTICS Series HU1 is a an holding unit using spring force. Holding cartridge can be exchanged in case of wear.



Technical data

Industry	Industrial
Function	Hold with clamping jaws
Function	hold: spring force, release: compressed air
Piston Ø	25 mm
suitable piston rod Ø	10 mm
Piston rod extension	51 mm
Compressed air connection	M5
Min. release pressure	4 bar
Max. release pressure	8 bar
Min. medium temperature	-10 °C
Max. medium temperature	60 °C
Medium	Compressed air
Max. particle size	5 µm
Min. ambient temperature	-10 °C
Max. ambient temperature	60 °C
Min. oil content of compressed air	0 mg/m ³
Max. oil content of compressed air	5 mg/m ³
Static holding force	400 N
Weight	0.11 kg

Material

Housing	Aluminum
Surface housing	black anodized
Part No.	0821401164

Technical information

Warning: The holding unit may not be used for the following applications: 1) for dynamic holding 2) in or as safety equipment

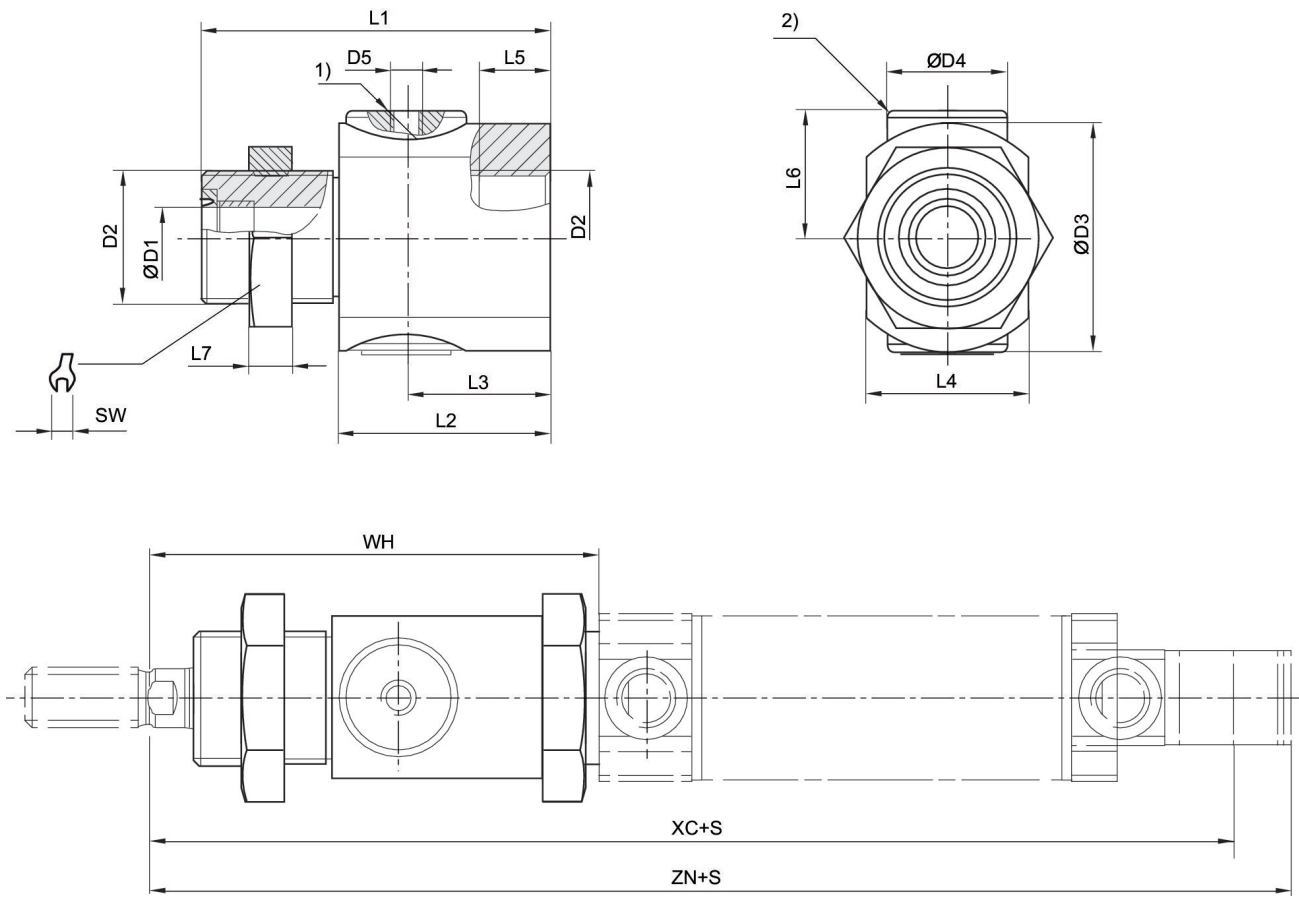
Holding unit may only be unlocked when turned off.

Make sure that the load direction does not change during a holding interval. A change in the direction of force, as well as external forces such as impacts, strong vibrations, or torsional forces, will briefly release the piston rod and may destroy the HU1 holding unit.

When clamped, there must be no residual pressure on the holding unit ([0] bar).

Note: The minimum control pressure is \geq the working pressure of the cylinder!

Dimensions



- 1) air connection
- 2) Holding cartridge

Holding unit, Series HU1

0821401164

Holding unit

2023-10-26

S = stroke

Piston Ø	Part No.	ØD1	D2	ØD3	ØD4	D5	L1	L2	L3
20	0821401163	8	M22x1,5	38	20	M5	58	35	24
25	0821401164	10	M22x1,5	38	20	M5	58	35	24

Piston Ø	L4	L5	L6	L7	SW	WH	XC	ZN
20	27	12	21	7	30	78	149	163.5
25	27	12	21	7	30	79	155	170.5