

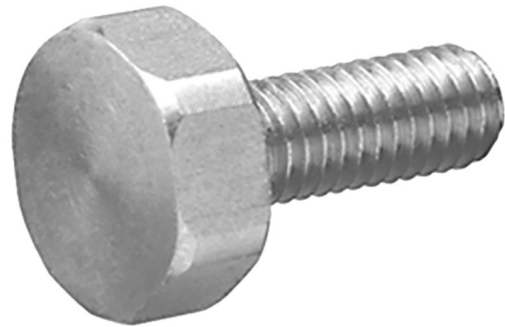
# Blanking screw

2024-03-21

R402003752

---

## AVENTICS Blanking screws and connectors



### Technical data

Industry

Industrial

Port G

M12

Delivery unit

4 piece

### Material

Material

Stainless Steel

Part No.

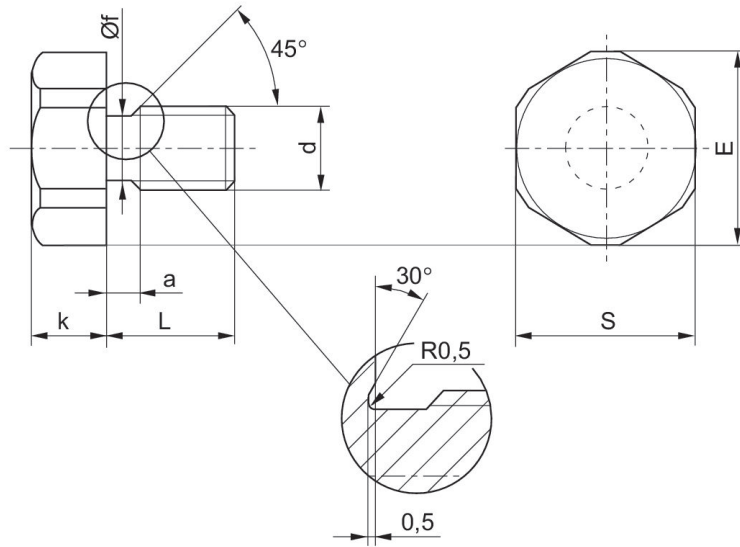
R402003752

# Blanking screw

2024-03-21

R402003752

## Dimensions



## Dimensions in mm

Part No.	a	d	E	k	L	S	r
R402003751	4	M10	24	7,9	8.8	15	21
R402003752	4	M12	30	9,5	11.5	18	27