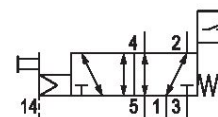
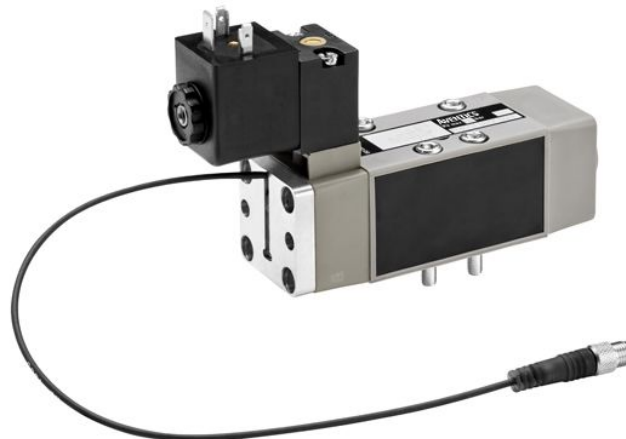


Series IS12-PM, size 1



Technical data

Industry

Activation

Nominal flow Q_n

Compressed air connection output

Min. working pressure

Max. working pressure

Manual override

Actuating control

Sealing principle

Pilot

Standards

Pilot valve width

Valve type

Blocking principle

Connection type

Return

Compressed air connection input

Compressed air connection, exhaust

Compressed air connection pilot input

Industrial

Electrically

1060 l/min

Base plate DIN ISO 5599 size 1

-0.9 bar

10 bar

without detent

Single Solenoid

Soft seal

External

ISO 5599-1

30 mm

Spool valve, positive overlapping

Single base plate principle

Plate connection

With spring return

Base plate DIN ISO 5599 size 1

Base plate DIN ISO 5599 size 1

Base plate DIN ISO 5599 size 1

5/2-directional valve, Series IS12-PD, size 1

2024-03-18

R422002578

| | |
|--|--------------------------------|
| Compressed air connection pilot exhaust | M5 |
| Basic valve equipment | Basic valve without coil |
| Frame size | ISO 1 |
| Min. control pressure | 3 bar |
| Max. control pressure | 10 bar |
| Min. ambient temperature | 0 °C |
| Max. ambient temperature | 50 °C |
| Min. medium temperature | 0 °C |
| Max. medium temperature | 50 °C |
| Medium | Compressed air |
| Max. particle size | 5 µm |
| Min. oil content of compressed air | 0 mg/m ³ |
| Max. oil content of compressed air | 0.01 mg/m ³ |
| Protection class with connection | IP65 |
| Compatibility index | 15 |
| Duty cycle | 100 % |
| Switch-on time | 18 ms |
| Switch-off time | 40 ms |
| Type sensor | electronic PNP, with LED |
| Electrical connection for sensor | Plug |
| Sensor port size | M8 |
| Sensor number of poles | 3-pin |
| Voltage drop sensor U at I _{max} | ≤ 2,5 V |
| Vibration resistance sensor | 10 - 55 Hz, 1 mm |
| Shock resistance sensor | 30 g / 11 ms |
| Protection class sensor acc. to DIN EN 61140 | Class III |
| Sensor | with knurled screw |
| Cable length sensor | 0.3 m |
| Mounting screws | M5 with hexagon socket |
| Weight | 0.315 kg |
| Housing material | Polyamide Aluminum |
| Seal material | Acrylonitrile butadiene rubber |
| Part No. | R422002578 |

Technical information

When the valve is not actuated, the sensor sends a signal through pin 4 of the sensor connection.

When the valve is actuated, the sensor does not send a signal through pin 4 of the sensor connection.

The valve with position detection is possible to be used in categories 3 and 4 according to ISO 13849 in order to reach a Performance Level (PL) of the control system up to PL = e.

On its own, the valve with position detection is not a safety component and is not a complete safety solution. It is designed to increase the diagnostic coverage (DC) of the control system.

For use in categories 3 to 4, additional requirements of DIN EN ISO 13849-1:2008-12 (e.g. CCF, DC, PLr, software, systematic errors) are taken into consideration by the user.

The min. control pressure must be adhered to, since otherwise faulty switching and valve failure may result!

The pressure dew point must be at least 15 °C less than ambient and medium temperature and may not exceed 3 °C.

The oil content of compressed air must remain constant during the life cycle.

Use only the approved oils from AVENTICS. Further information can be found in the "Technical information" document (available in <https://www.emerson.com/en-us/support>).

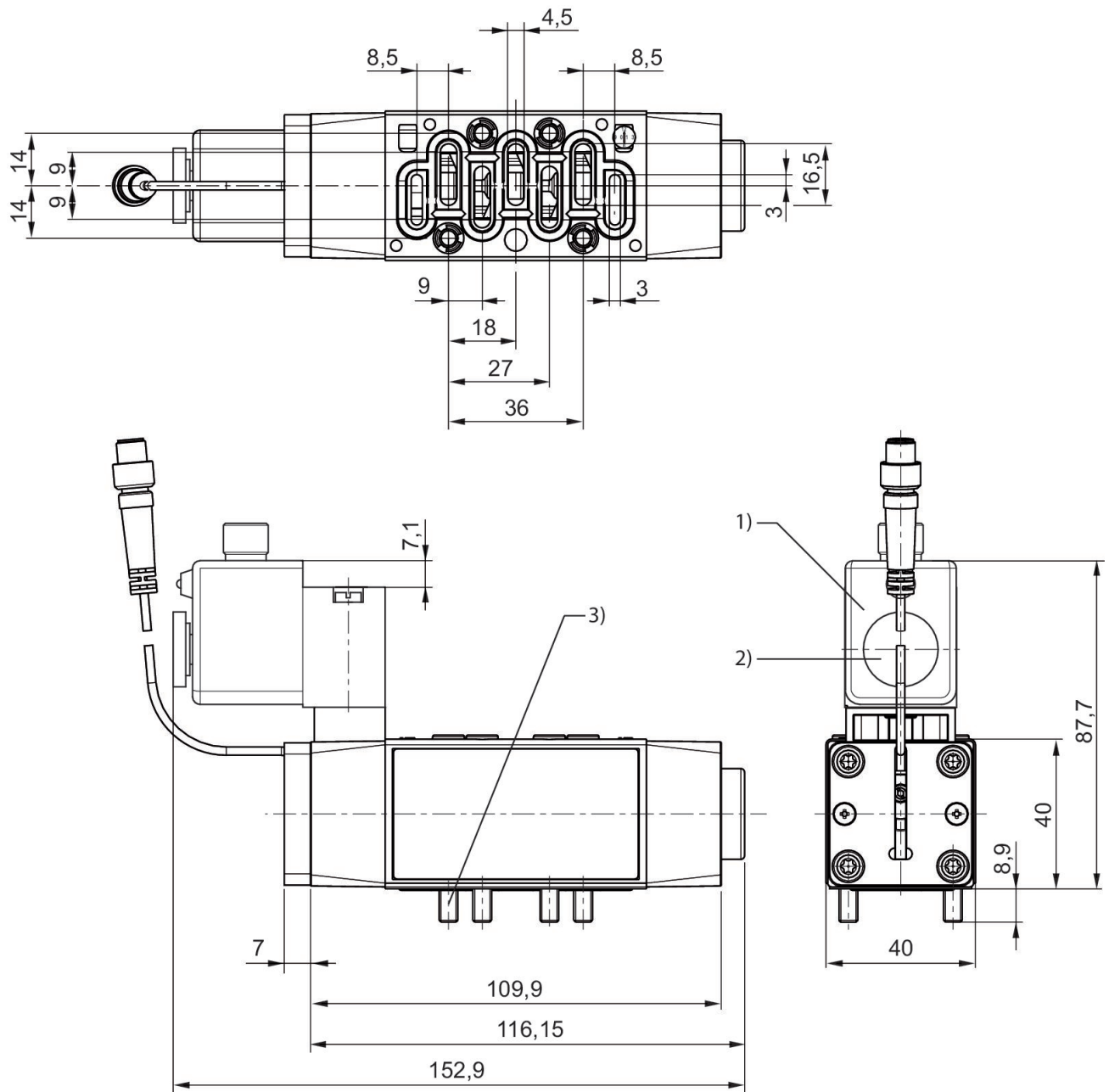
Dimensions

5/2-directional valve, Series IS12-PD, size 1

2024-03-18

R422002578

Fig. 2



- 1) Adjustable coil 5x45°
- 2) Tightening torque for lock nut: $0.6 + 0.2$ Nm
- 3) Tightening torque for mounting screws: 2.2 ± 0.2 Nm

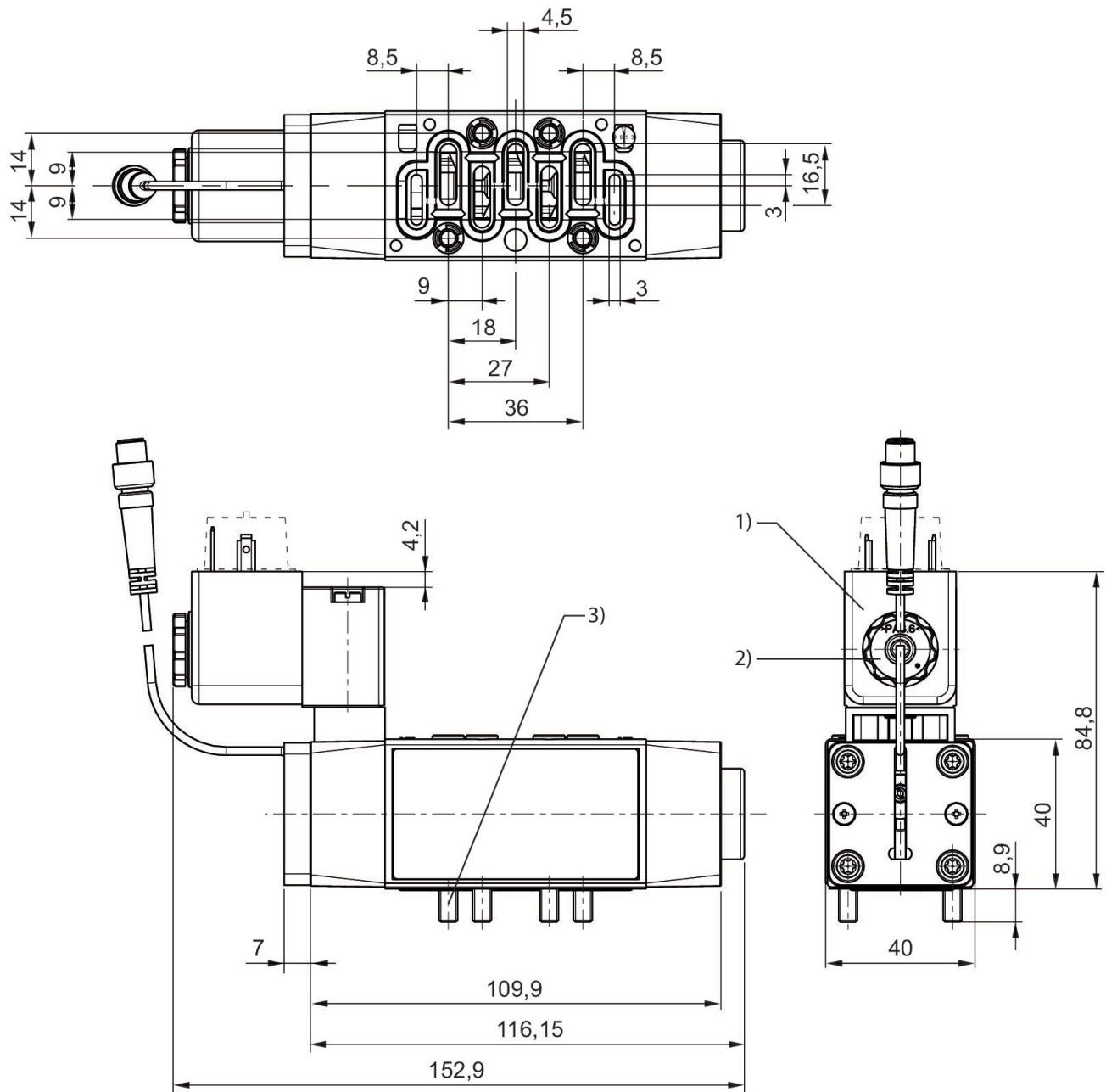
Dimensions

5/2-directional valve, Series IS12-PD, size 1

2024-03-18

R422002578

Fig. 1



- 1) Adjustable coil 5x45°
- 2) Tightening torque for lock nut: 0.6 + 0.2 Nm
- 3) Tightening torque for mounting screws: 2.2 ± 0.2 Nm