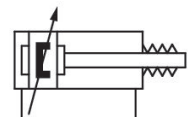
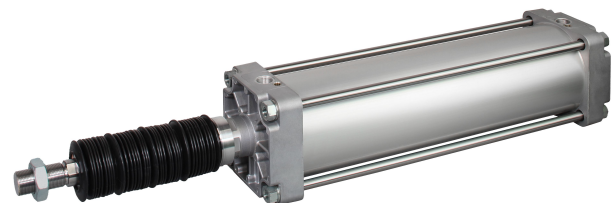


AVENTICS Series ITS Tie rod cylinders (ISO 15552)

The AVENTICS Series ITS (ISO 15552) cylinders are often chosen when extremely large loads need to be moved efficiently and under control with the familiar ease of operation. The Series ITS (ISO 15552) cylinders are easily configurable to your application needs.



Technical data

| | |
|--|---------------------------------|
| Industry | Industrial |
| Standards | ISO 15552 |
| Piston Ø | 160 mm |
| Stroke | 25 mm |
| Ports | G 3/4 |
| Functional principle | Double-acting |
| Cushioning | Pneumatic adjustable cushioning |
| Magnetic piston | Piston with magnet |
| Environmental requirements | Industry standard |
| Piston rod thread - type | External thread |
| Piston rod thread | M36x2 |
| Piston rod | single |
| Cylinder special features | Bellows |
| Scraper | Standard Industry Scraper |
| Pressure for determining piston forces | 6,3 bar |
| Retracting piston force | 11875 N |
| Extracting piston force | 12667 N |
| Min. ambient temperature | -20 °C |
| Max. ambient temperature | 80 °C |

Tie rod cylinder ISO 15552, Series ITS

R481628001

series ITS

2024-04-05

| | |
|--|--|
| Min. working pressure | 2 bar |
| Max. working pressure | 10 bar |
| Max. speed | 0.6 m/s |
| Cushioning length | 46 mm |
| Cushioning energy | 160 J |
| Weight 0 mm stroke | 12.89 kg |
| Weight +10 mm stroke | 0.21 kg |
| Stroke max. | 1000 mm |
| Medium | Compressed air |
| Min. medium temperature | -20 °C |
| Max. medium temperature | 80 °C |
| Max. particle size | 50 µm |
| Min. oil content of compressed air | 0 mg/m ³ |
| Max. oil content of compressed air | 5 mg/m ³ |
| Clamping piece for magnetic field sensor necessary | Clamping piece for magnetic field sensor necessary |

Material

| | |
|-----------------------|--------------------------------|
| Piston rod | Stainless Steel |
| Scraper material | Acrylonitrile butadiene rubber |
| Material tie-rod | Stainless Steel |
| Seal material | Acrylonitrile butadiene rubber |
| Material, front cover | Die-cast aluminum |
| Cylinder tube | Aluminum |
| End cover | Die-cast aluminum |
| Nut for piston rod | Steel, chrome-plated |
| Bellow | Carboxylated nitrile rubber |
| Part No. | R481628001 |

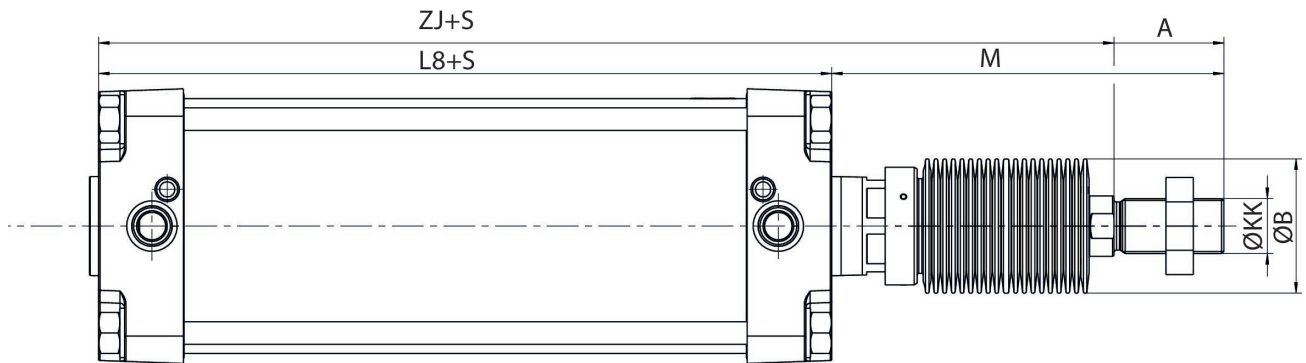
Technical information

The pressure dew point must be at least 15 °C less than ambient and medium temperature and may not exceed 3 °C.

The oil content of compressed air must remain constant during the life cycle.

Use only the approved oils from AVENTICS. Further information can be found in the “Technical information” document (available in <https://www.emerson.com/en-us/support>).

Dimensions



Stroke-dependent dimensions

| Dimensions | M | M | M | M | M | ZJ | ZJ | ZJ | ZJ |
|------------|---------|-----------|-----------|-----------|------------|---------|-----------|-----------|-----------|
| Piston Ø | S=0-250 | S=251-500 | S=501-600 | S=601-750 | S=751-1000 | S=0-250 | S=251-500 | S=501-600 | S=601-750 |
| 160 | 222 | 266 | 311 | 321 | 386 | 330 | 374 | 419 | 429 |
| 200 | 237.5 | 281.5 | 326.5 | 336.5 | 401.5 | 346 | 390 | 435 | 445 |

| Dimensions | ZJ | ZM | ZM | ZM | ZM | ZM |
|------------|------------|---------|-----------|-----------|-----------|------------|
| Piston Ø | S=751-1000 | S=0-250 | S=251-500 | S=501-600 | S=601-750 | S=751-1000 |
| 160 | 494 | 480 | 568 | 658 | 678 | 808 |
| 200 | 510 | 511 | 599 | 689 | 709 | 839 |

S = stroke

Dimensions

| Piston Ø | A | Ø B | KK | L8 |
|----------|----|-----|-------|-----|
| 160 | 72 | 88 | M36x2 | 180 |
| 200 | 72 | 88 | M36x2 | 180 |

Weight [kg]

| Piston Ø | Stroke | Weight 0 mm stroke | Weight +10 mm stroke |
|----------|----------|--------------------|----------------------|
| 160 | 0-125 | 12.89 | 0.21 |
| 160 | 126-250 | 13.10 | 0.21 |
| 160 | 251-500 | 20.41 | 0.21 |
| 160 | 501-600 | 27.84 | 0.21 |
| 160 | 601-750 | 31.04 | 0.21 |
| 160 | 751-1000 | 40.89 | 0.21 |
| 200 | 0-125 | 16.16 | 0.21 |
| 200 | 126-250 | 16.43 | 0.21 |

Tie rod cylinder ISO 15552, Series ITS

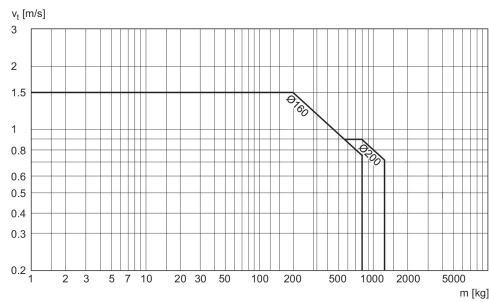
R481628001

series ITS

2024-04-05

| Piston Ø | Stroke | Weight 0 mm stroke | Weight +10 mm stroke |
|----------|---------|--------------------|----------------------|
| 200 | 251-500 | 25.67 | 0.21 |
| 200 | 501-600 | 34.98 | 0.21 |
| 200 | 601-750 | 38.99 | 0.21 |

Cushioning diagram



Tie rod cylinder ISO 1552, Series ITS

R481628001

series ITS

2024-04-05

Accessories overview

